

Mariak

2" Aluminum & PVC Horizontal Blinds
1", 2" & 2 ½" Basswood Horizontal Blinds
1", 2" & 2 ½" Fauxwood Horizontal Blinds

Effective April 2015



Save a life: "Install Cord Cleats!"

Mariak

Horizontal Blind Measuring & Ordering Instructions

Selecting the Type of Mounting:

Determine whether the blind is going to be installed inside the window frame or outside the window frame.



Inside Mount (IB):

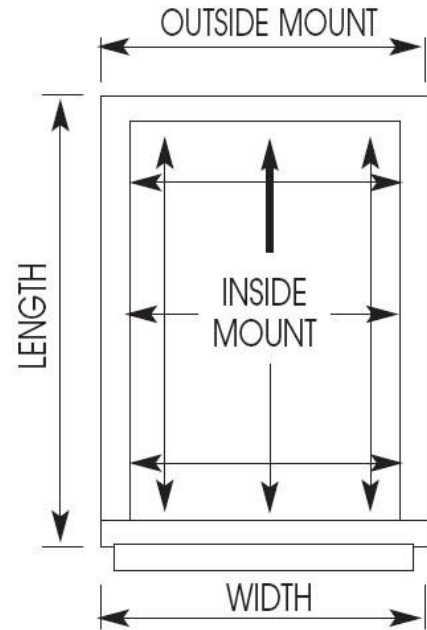
Inside mount installations are often preferred because the blinds take up less space in the room.

Measuring the Width and the Length for Inside Mount:

For the width, measure across the top, middle, and bottom of the window opening. Using the narrowest dimension, measure to the nearest 1/8". By using the narrowest measurement the blind will operate correctly.

For the length, measure the up and down dimension on the left, center, and right side. Use the longest length measurement, measuring to the nearest 1/8".

The factory will make any appropriate deductions (1/2" Standard deduction on width for inside mount). Do not make any width deductions.



Outside Mount (OB):

Outside mount installations are mounted on the wall or on the window molding. It is best to overlap the window opening at least 3/4" on each side when measuring for horizontal blinds.

Measuring the Width and the Length for Outside Mount:

Measure the area that the blind is to cover. For horizontal blinds it is recommended to overlap the window opening by at least 3/4" on each side for a total of 1 1/2". To allow for enough space for the mounting brackets and to cover the bottom of the window, the suggested overlap for a horizontal blind is at least 3" (1 1/2" above the window opening and 1 1/2" below the opening). If the window opening has a sill, measure from where the top of the blind will be located to the top of the window sill.

Note: When outside mount blinds are specified, no factory deductions are taken.

Confirming Measurements:

The most common error in ordering blinds is reversing the width and the length measurements. Always confirm that the width is the measurement that goes across from left to right and that the length is the measurement that goes from top to bottom.

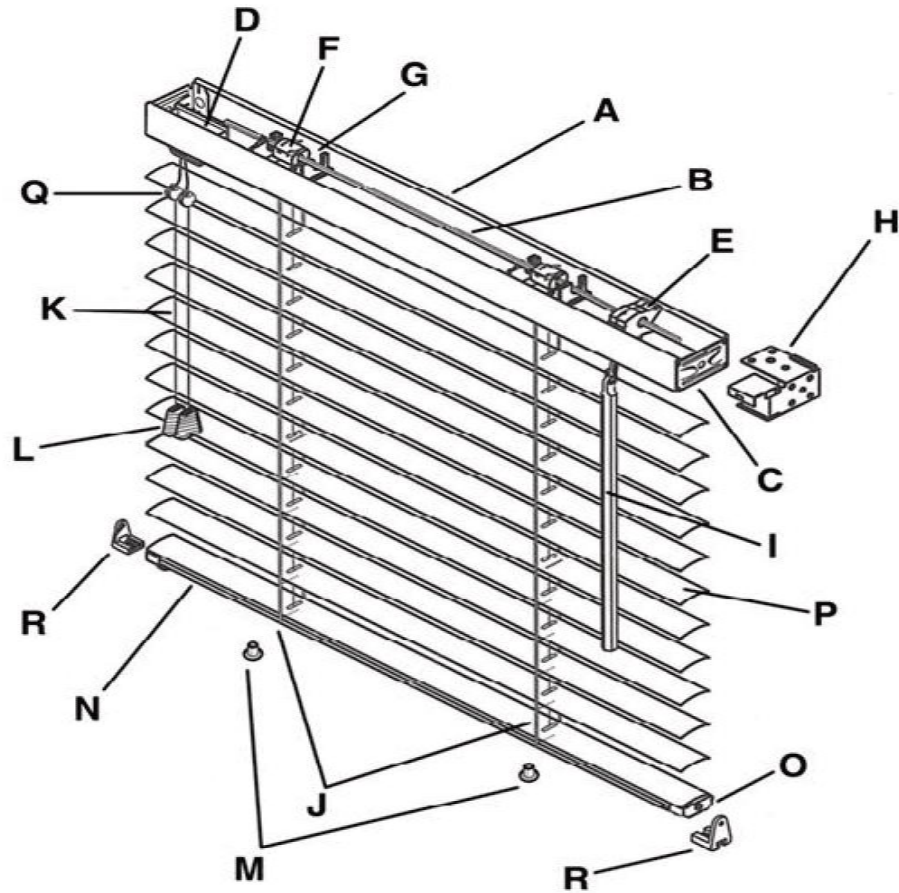
In compliance with the latest manufacturing safety guidelines Mariak Industries Inc. includes with each fully-assembled product warning tags, warning labels, safety devices and cord cleats. Installers of the finished product must adhere to the safety guidelines as established by the installation instructions and by using all devices provided by the manufacturer. It is the responsibility of the installer, as well as the end consumer, to see that all safety devices are properly installed according to the manufacturers installation instructions included with each device and remain so throughout the life of the product. Mariak Industries, Inc. is not liable for injuries or fatal occurrences related to improper installation or maintenance of required safety devices.

The follow surcharges will apply for purchases of individual slat, broken-boxes, pieces or cut-down products that are not purchased as a fully assembled blind or shade:

- \$5.00 NET - PVC Vertical Vanes Broken-Box Charge
- \$6.00 NET - Horizontal Slat Material Broken-Box Charge
- \$10.00 NET - Components, Valance or Fascia Broken-Box Charge All Products
- \$20.00 NET - Cut-Charge for All Products (i.e. fabric, slat, valance, fascia, etc.)

Mariak

2" Aluminum Blind System



- A) Headrail – Steel 1-1/2" H x 2" D
- B) Pinion Rod (Tilt Rod) – Hexagonal
- C) End Stiffeners
- D) Cord Lock
- E) Wand Tilter
- F) Tape Drum (Ladder Drum)
- G) Tape Drum Support (Cradle)
- H) Box Installation Bracket
- I) Wand – Clear Hexagonal
- J) Cord Ladder
- K) Lift Cord 1.8mm
- L) Cord Tassels
- M) Bottomrail Plugs
- N) Bottomrail – Enclosed
- O) Bottomrail End Caps
- P) Slats
- Q) Cord Safety Rings
- R) Hold Down Brackets - Optional

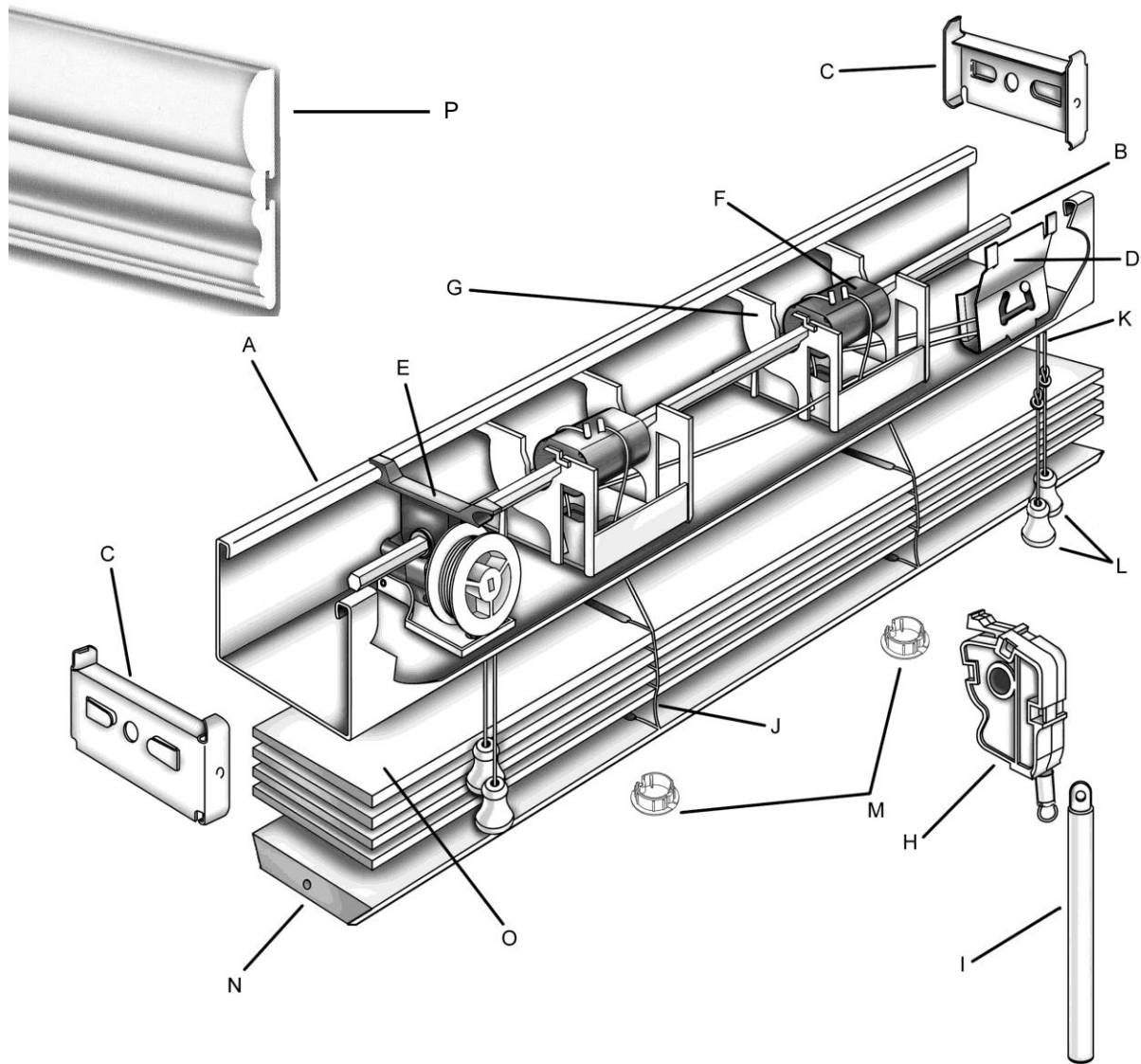
2" Aluminum Blind 8-Gauge Aluminum Slats

System Features:

- Heavy Duty Metal and Plastic Components
- Wand Tilter has a clutch mechanism preventing over-rotation and repairs

Mariak

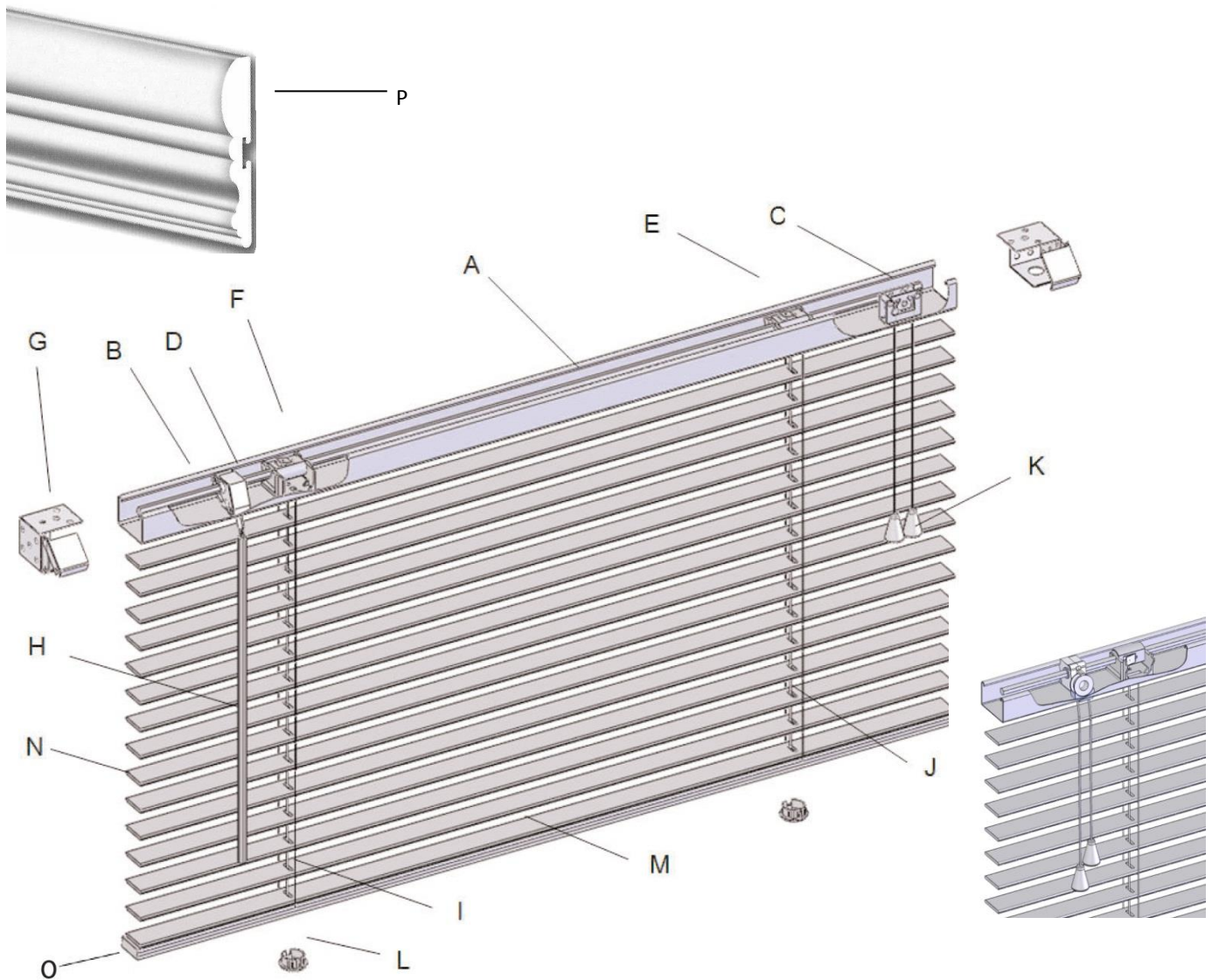
2" & 2-1/2" Basswood/Fauxwood or 2" PVC Horizontal Blind



- A) Low Profile Headrail – Steel 1-1/2" H x 2" D
- B) Pinion Rod (Tilt Rod) – Hexagonal
- C) End Stiffeners
- D) Cord Lock
- E) Cord Tilter
- F) Tape Drum (Ladder Drum)
- G) Tape Drum Support (Cradle)
- H) Wand Tilter (wand on 2" slat only; 2-1/2" slat cord tilt Only)
- I) Wand
- J) Cord Ladder
- K) Lift Cord 1.8mm
- L) Cord Tassels
- M) Bottomrail Plugs
- N) Bottomrail – Trapezoid
- O) Slats – 2" or 2-1/2" Flat Fauxwood & Basswood or 2" PVC Solid Curved Smooth
- P) Royal Valance – Standard (glued returns are included unless otherwise specified)

Mariak

1" Basswood or 1" Fauxwood Horizontal Blind



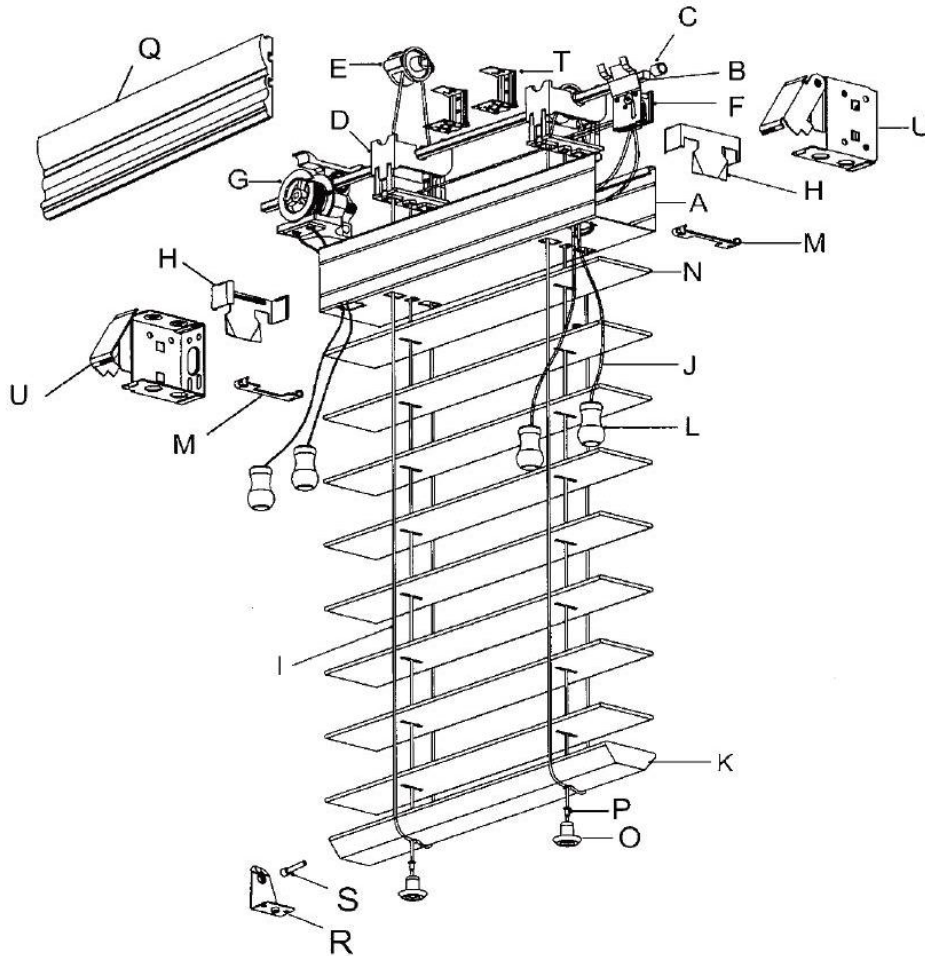
- A) Headrail – Steel 1-1/2" D x 1" H
- B) Pinion Rod (Tilt Rod) – Hexagonal
- C) Cord Lock
- D) Wand Tilter Optional (Cord Tilter Standard)
- E) Tape Drum (Ladder Drum)
- F) Tape Drum Support (Cradle)
- G) Installation Bracket
- H) Wand – Clear Hexagonal
- I) Cord Ladder
- J) Lift Cord 1.4mm
- K) Cord Tassels
- L) Bottomrail Plugs
- M) Bottomrail End Caps
- N) Slat - 1" Flat Fauxwood or 1" Flat Basswood
- O) Bottomrail – Rectangular
- P) Royal Valance – Standard (glued returns are included unless otherwise specified)

System Features:

- Color Coordinated Headrail
- Installation Brackets
- Heavy-Duty Metal and Plastic Components
- Wand tilter has a clutch mechanism preventing over-rotating and repairs

Mariak

2" Economy Read-Made Basswood & Fauxwood Horizontal Blinds



- A) Low Profile Steel Headrail 1-1/2" H x 2" D
- B) Pinion Rod (Tilt Rod) – Square
- C) Pinion Rod Cap
- D) Tape Drum Support (Cradle)
- E) Tape Drum (Ladder Drum)
- F) Cord Lock
- G) Cord Tilter (wand not available)
- H) End Stiffener
- I) Cord Ladder
- J) Lift Cord 1.8mm
- K) Bottomrail – Trapezoid
- L) Cord Tassels
- M) Top Slat Clip
- N) Slats – 2" Flat Fauxwood
- O) Bottomrail Plugs
- P) Cord Grommets
- Q) 3-1/4" Royal Valance
- R) Hold Down Brackets - Optional
- S) Hold Down Pins
- T) Center Support Brackets
- U) Box Style Installation Brackets

System Features:

- Hidden 1-piece plastic valance clip
- 1-1/4" Clip on inside mount returns included
- 3-1/2" Clip on outside mount returns available upon request

Mariak

Product Specifications

Product Specifications & Ladder Spacing

- Minimum Width = 8"
- Blinds less than 11" in width must have a center tilt mechanism with NO Lift control
- Blinds less than 15" and greater than 11 1/2" must have split controls (Standard – Left/Right or Reverse – Right/Left)
- Blinds greater than 15" may have same side control or split controls
- 1" Basswood or 1" Fauxwood Blinds come standard with Cord Tilt (wand tilt optional)
- 1" Basswood or 1" Fauxwood Blinds are **NOT** available with Routless or Cloth Tape options
- 2 1/2" Basswood & 2 1/2" Fauxwood Blinds are **NOT** available with Wand Tilt option
- Maximum Distance between cord ladders on Fauxwood blinds = 11" spacing
- Maximum Distance between cord ladders on Basswood, Aluminum, & PVC blinds = 20" spacing

Control Location Options:

- **Standard:** Tilter – Left / Lift Cords – Right
- **Reverse:** Tilter – Right / Lift Cords – Left
- **Same Left:** Tilter – Left / Lift Cords – Left
- **Same Right:** Tilter – Right / Lift Cords – Right
- Blinds less than 11" in width must have a center tilt mechanism
- Blinds less than 15" and greater than 11 1/2" must have split controls

Stacking Height

Blind Drop	Total Stack Thickness
24"	5"
36"	6"
48"	7"
60"	9"
72"	9 1/2"
84"	10 1/2"
96"	12 1/2"
108"	13 1/2"
120"	15"

Wand Selection Chart:

Blind Drop	Wand Length
36" or less	24"
36 1/2" – 48"	30"
48 1/2" – 60"	36"
60 1/2" or greater	48"

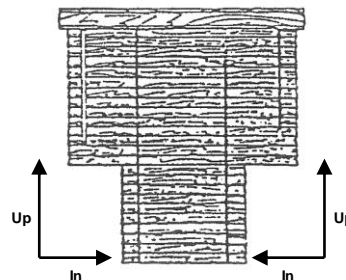
Cutouts Specifications:

A \$15.00 net surcharge will apply to each side cutout. A drawing with the necessary cutout dimensions is required. The maximum cut in width is as follows:

- Fauxwood = 4 1/2"
- Basswood = 5 1/2"
- PVC = 5 1/2"
- Aluminum = 5 1/2"

Decorative Valances for 2" & 2 1/2" Horizontal Blinds

- 3 1/4" decorative valances are *standard* with **Fauxwood & Basswood** blinds.
- Maximum width on a single valance is 9'; valance will not be spliced. A "flush-cut" on one end can be requested so that two valances can be butted together; note there will be a visible seam.
- Valance returns are included for all Inside Mount and Outside Mount Fauxwood & Basswood blinds and are mitered and glued for custom made horizontal blinds.
- Returns: Royal Valance IB = 1 1/4" Outside Dimensions or 3/4" Inside Dimension OB = 3 1/2" Outside Dimensions or 2 7/8" Inside Dimensions
- Returns: Barrington Valance IB 1 1/2" Outside Dimensions or 3/4" Inside Dimensions OB = 3 5/8" Outside Dimensions or 2 7/8" Inside Dimensions
- 2-part hidden metal valance clip included with all custom made horizontals.
- Magnet Valance Attachment available on Custom-Made Horizontals; place the valance on the headrail and the magnets will hold the valance in place - \$2.00 net surcharge per blind.
- The 3 1/4" **Royal Valance** is used as a *standard* for **Fauxwood & Basswood** blinds.
- **Royal Valances are included at no additional charge with the purchase of Basswood & Fauxwood Blinds.**
- The 5 1/2" **Barrington Valance** is an available upgrade option for all custom-made 2" & 2-1/2" horizontals
 - All Fauxwood blinds specifying Barrington Valances will be made from 100% Fauxwood materials.
 - All Painted Basswood blinds (white colors) specifying Barrington Valances will be made from 100% Fauxwood materials designed to match the white basswood slat colors.
- **Barrington Valances are \$ 4.00 Net per 2" or 2-1/2" Basswood (whites only, not available in basswood stains) & Fauxwood Horizontal Blind (available in all fauxwood colors).**



**3-1/4" Royal Valance
for Basswood & Fauxwood Blinds**



**5 1/2" Barrington Valance
for 2" or 2-1/2" Basswood
(whites only, not available in
basswood stains)
& Fauxwood (available in all
fauxwood colors)**

Valance Only Pricing: Use only when ordering Valances separate from blinds.

	36"	48"	60"	72"	84"	96"	108"
3 1/4" Royal Fauxwood Valance	\$55	\$70	\$85	\$100	\$115	\$130	\$140
3 1/4" Royal Basswood Valance	\$75	\$100	\$125	\$150	\$165	\$185	-
5 1/2" Barrington Fauxwood Valance	\$85	\$110	\$130	\$155	\$175	\$200	\$220
5 1/2" Barrington Basswood Valance	\$155	\$200	\$240	\$280	\$320	\$360	-

Mariak

Motorized Horizontal Blinds

Somfy RTS Tilt Motorized Option & Surcharges: *(Not Shown in Diagram Above)*

- Somfy RTS Motorized Blinds (Tilt Only) = \$175.00 (Single Lithium Battery Pack Included) **Net Charge.**
 - 5-Channel RTS Modulis Remote Control Transmitter = \$160.00 **Net Charge.**

Features:

- Exclusive scroll wheel design for precise tilt control of horizontal blinds
 - Tilts blinds individually, as sub-groups, or as an entire group using a 5-Channel RTS transmitter
 - Rubberized headrail adapter for smooth and quiet motor operation
 - Range: 65 Ft. (without the need to point or aim the transmitter)
 - Built-in encoder for precise slat positioning of adjacent blinds
 - Maximum Sizes:
 - Basswood = 114" x 114"
 - Fauxwood = 93" x 96"
 - Aluminum = 120" x 144"
-

Mariak

Horizontal Blind Color Listing

Aluminum	
Colors Available	2"
004 - Eggshell Gloss	Yes
005 - White Gloss	Yes
017 - Gulf Blue	Yes
031 - Fawn	Yes
048 - Peach	Yes
062 - Char Brown	Yes
064 - Aluminum Textured	Yes
112 - Alabaster	Yes
121 - Brushed Aluminum	Yes
173 - Spun Silk	Yes
205 - White Satin	Yes
233 - Black Satin	Yes
386 - Snow Cap	Yes
957 Pinion (Discontinued)	Yes
974 - Pearl	Yes
Curved PVC	
Colors Available	2"
Ivory	Yes
Light Grey	Yes
Off White	Yes
Snow White	Yes

Basswood					
Colors Available	1"	2"	2 ½"	2" Stock Blind	
100 - Snow White	Yes	Yes	Yes	Yes	
120 - Crisp White	Yes	Yes	Yes	Yes	
130 - White	Yes	Yes	Yes	-	
140 - Swiss Coffee	Yes	Yes	Yes	Yes	
150 - Colonial White	Yes	Yes	-	-	
160 - Antique White	-	Yes	Yes	Yes	
200 - Alabaster	-	Yes	-	-	
240 - Natural	-	Yes	Yes	-	
245 - Mink	-	Yes	-	-	
250 - Golden Oak	-	Yes	Yes	Yes	
255 - Red Oak	-	Yes	Yes	Yes	
260 - Light Pecan	Yes	Yes	Yes	Yes	
265 - Pecan	Yes	Yes	Yes	Yes	
320 - Cactus	-	Yes	-	-	
325 - Smokey Grey	-	Yes	-	-	
270 - Summer Pecan	Yes	Yes	Yes	Yes	
275 - Cherry	Yes	Yes	Yes	Yes	
280 - Warm Cherry	Yes	Yes	Yes	Yes	
285 - Sugar Maple	Yes	Yes	Yes	-	
290 - Cottage	Yes	Yes	Yes	Yes	
295 - Mahogany	Yes	Yes	Yes	Yes	
300 - Hunter Green	-	Yes	-	-	
310 - Black	-	Yes	-	-	
330 - Nut Meg	-	Yes	-	-	
315 - Espresso	Yes	Yes	Yes	Yes	

Fauxwood					
Colors Available	1"	2"	2 ½"	2" Stock Blind	
100 - Bright White Smooth	Yes	Yes	Yes	-	
102 - Bright White Sandblast	-	Yes	-	-	
105 - Bright White Textured	-	Yes	-	-	
110 - Snow White Smooth	Yes	Yes	Yes	Yes	
112 - Snow White Sandblast	-	Yes	Yes	-	
113 - Snow White Embossed	-	-	-	Yes	
115 - Snow White Textured	-	Yes	-	-	
120 - Pearl White Smooth	Yes	Yes	Yes	Yes	
122 - Pearl White Sandblast	-	Yes	Yes	-	
123 - Pearl White Embossed	-	-	-	Yes	
125 - Pearl White Textured	-	Yes	-	-	
130 - Oyster White Smooth	Yes	Yes	Yes	-	
132 - Oyster White Sandblast	-	Yes	-	-	
135 - Oyster White Textured	-	Yes	-	-	
142 - Birch Sandblast	-	Yes	-	-	
152 - Natural Sandblast	-	Yes	-	-	
155 - Natural Textured	-	Yes	Yes	-	
155 - Natural Embossed	-	-	-	Yes	
162 - Maple Sandblast	-	Yes	-	-	
165 - Maple Textured	-	Yes	Yes	-	
172 - Cherry Sandblast	-	Yes	-	-	
175 - Cherry Textured	-	Yes	Yes	-	
175 - Cherry Embossed	-	-	-	Yes	
200 - Alabaster Smooth	-	-	-	Yes	
9250 - Bamboo RealGrain	Yes	Yes	Yes	-	
9251 - Natural RealGrain	Yes	Yes	Yes	-	
9252 - Maple RealGrain	Yes	Yes	Yes	-	
9253 - Pecan RealGrain	Yes	Yes	Yes	-	
9254 - Oak RealGrain	Yes	Yes	Yes	Yes	
9256 - Chestnut RealGrain	Yes	Yes	Yes	Yes	
9257 - Mahogany RealGrain	Yes	Yes	Yes	-	
9258 - Dark Walnut RealGrain	Yes	Yes	Yes	-	
9259 - Cinnamon RealGrain	Yes	Yes	Yes	-	

Privacy Cloth Tape	
001 Fawn	007 Mulberry
002 Dark Beige	008 Alice Blue
003 Dark Green	100 White
004 Royal Blue	105 Duck White
005 Chocolate	Vinyl Tape Colors:
006 Black	Eggshell
	White Satin

Material Type	Price Table	Material Type	Price Table
2" Aluminum	A	2 ½" Fauxwood – Smooth	C
2" Curved PVC	A1	2 ½" Fauxwood – Sandblast	C
1" Fauxwood – Smooth	D	2 ½" Fauxwood – Textured	C
1" Fauxwood – RealGrain	D + 20%	2 ½" Fauxwood – RealGrain	C + 20%
2" Fauxwood – Smooth	B	1" Basswood – Painted & Stains	D
2" Fauxwood – Sandblast	B	2" Basswood – Painted & Stained	B1
2" Fauxwood – Textured	B	2 ½" Basswood – Painted & Stained	C1
2" Fauxwood - RealGrain	B + 20%		

2" Fauxwood Econo Stock Blind 113 Snow White Embossed & 123 Pearl White Embossed NOW AVAILABLE!

Optional Surcharges:

- Cloth Tape Privacy Option = Add 15% (See sample deck for available colors; not available in 1" blinds)
- Vinyl Tape Privacy Option for 2" PVC (Eggshell or White Satin) = Add 30%
- Routless Privacy Option = Add 10% (NOT available for 2-on-1 or 3-on-1 blinds or 1" blinds)
- Tile Cut Blinds = \$15.00 (net charge per side)
- 2-on-1 Headrail Blinds = \$20.00 (net charge) – Price the using overall width & length, and then add the surcharge.
- 3-on-1 Headrail Blinds = \$30.00 (net charge) – Price the using overall width & length, and then add the surcharge.
 - Light gap between blind for 2-on-1 or 3-on-1 is 1/8"
 - Maximum size for a multi-blind headrail is 144" and must be a 3-on-1
 - Please specify when ordering multiple individual blinds to go in one window.
- 2-on-1 & 3-on-1 Headrails are available with standard (left/right) controls and available Cord-Tilt only.
- Slanted Top "A" Frame Blinds = \$125.00 (net charge)
- Undersized Blind (12" and less in width) = \$ 20.00 net charge
- Oversized Blind (greater than 120" in length) = \$ 10.00 net charge
- Hold-Down Brackets (must specify)= No Charge (Recommended for blinds installed on doors.)
- Magnet Valance Attachment available on custom-made 2" & 2-1/2" Basswood & Fauxwood; \$ 2.00 net surcharge per blind

All prices are in U.S. Dollars and do not include freight, duties or taxes for shipments to Alaska, Hawaii or Canada. GST and VAT are not included. Other restrictions and surcharges may apply. See Freight Policy for complete details. Manufacturing specifications, options, surcharges and pricing are subject to change without notice.

www.mariak.com

Mariak

2" Aluminum Horizontal Blinds

Suggested Retail Price Table A

		Width																			
		23	26	29	32	36	40	44	48	52	57	62	67	72	82	92	102	112	122	132	144
Length	42	191	205	226	232	285	310	329	345	373	415	442	473	508	567	620	667	741	784	835	886
	48	205	226	240	258	312	340	354	383	409	459	486	518	550	618	683	732	818	862	913	936
	54	220	231	255	278	327	351	372	399	423	479	515	549	581	660	600	772	861	908	959	988
	60	228	248	274	290	342	368	399	425	453	512	550	589	622	700	741	829	927	978	1027	1039
	66	243	264	285	310	349	379	408	439	473	530	567	606	640	727	765	854	953	1002	1080	1090
	72	250	270	297	324	368	396	429	461	488	555	592	630	673	758	804	892	995	1052	1130	1140
	78	264	282	310	334	387	421	492	488	523	589	630	673	714	806	856	950	1061	1121	1182	1191
	84	270	298	322	347	406	436	477	509	544	613	656	699	740	837	889	991	1105	1170	1233	1244
	90	279	307	337	360	422	453	492	535	570	638	684	734	779	877	931	1037	1153	1222	1282	1295
	96	294	320	349	373	444	479	518	557	594	665	716	764	812	922	975	1083	1196	1273	1334	1346
	102	302	334	361	390	457	498	539	581	620	694	741	795	847	956	1016	1129	1240	1324	1385	1398
	108	315	343	371	405	474	519	557	605	645	719	771	826	877	993	1052	1176	1285	1375	1437	1447

Includes Single Slat P.V.C. or Aluminum Valance

Aluminum or PVC blinds, valance returns are not standard for inside mount.

Blinds to the right of this line are not recommended to be made as a single unit. The weight of the blind makes it difficult to operate. Blinds to right of this line made as a single unit will void the manufacturer's warranty..

HORIZONTAL BLIND SURCHARGE OPTIONS:

Privacy Cloth Tape	15%
Privacy Vinyl Tape (2" Aluminum)	30%
Tile Cut-Out (charge per side)	\$ 15.00 Net
2-on-1 Headrail Blind	\$ 20.00 Net
3-on-1 Headrail Blind	\$ 30.00 Net
Slanted Top Blind	\$ 125.00 Net
Undersized Blind (12" and less in width)	\$ 20.00 Net
Oversized Blind (greater than 108" in length)	\$ 10.00 Net
Hold Down Brackets Upon Request	No Charge

For 2-on-1 or 3-on-1 blinds, price as individual units and add together

2-on-1 or 3-on-1 available as cord tilt only with standard controls

Light gap between blinds for 2-on-1 or 3-on-1 is 1/8"

Maximum size for a multi-blind headrail is 144" and must be a 3-on-1

Please specify when ordering multiple individual blinds to go in one window

2" Aluminum Colors:	Vinyl Tape Colors:
004 - Eggshell Gloss	Eggshell
005 - White Gloss	White Satin
017 - Gulf Blue	
031 - Fawn	
048 - Peach	
062 - Char Brown	
064 - Aluminum Textured	
112 - Alabaster	
121 - Brushed Aluminum	
112 - Alabaster	
173 - Spun Silk	
205 - White Satin	
233 - Black Satin	
386 - Snow Cap	
957 - Pinion	
974 - Pearl	

All prices are in U.S. Dollars and do not include freight, duties or taxes for shipments to Alaska, Hawaii or Canada. GST and VAT are not included. Other restrictions and surcharges may apply. See Freight Policy for complete details.

Manufacturing specifications, options, surcharges and pricing are subject to change without notice.

Visit www.mariak.com for the most recent downloads.

Blinds less than 102" in width shipped via FedEx: \$4.00 / unit Net Freight Charge

Blinds 102-1/8" to 125" in width shipped via FedEx: \$75.00 / unit Net Freight Charge

Blinds 125 1/8" or greater in width shipped via Common Carrier: \$ 150.00 per shipment (up to 25 blinds)

Additional freight will apply and a freight quote is required for orders over 25 blinds.

Mariak

2" Contract Curved PVC Horizontal Blinds

Suggested Retail Price Table A1

		Width																			
		23	26	29	32	36	40	44	48	52	57	62	67	72	82	92	102	112	122	132	144
Length	42	200	216	238	245	300	326	346	362	392	436	465	497	534	596	652	701	778	823	877	930
	48	216	238	252	272	328	357	372	403	430	483	511	544	578	649	717	769	860	905	958	983
	54	231	244	269	293	344	369	390	420	445	503	541	577	610	693	730	812	904	954	1008	1038
	60	240	260	289	304	359	386	420	447	476	538	578	619	654	736	778	871	974	1027	1079	1091
	66	255	277	300	326	367	399	429	462	497	557	596	637	672	764	803	898	1001	1053	1134	1146
	72	263	283	312	341	386	415	451	485	513	583	622	662	708	796	845	936	1045	1105	1187	1198
	78	277	297	326	352	407	442	517	513	550	619	662	708	750	847	900	998	1114	1177	1241	1252
	84	283	314	338	364	427	458	501	535	572	644	689	735	777	879	933	1040	1161	1230	1295	1307
	90	294	323	355	379	444	476	517	562	600	670	718	771	819	922	978	1089	1211	1284	1346	1361
	96	309	336	367	392	466	503	544	585	624	698	752	802	852	969	1024	1138	1257	1338	1401	1414
	102	318	352	380	410	480	523	566	610	652	730	778	836	890	1004	1066	1186	1303	1391	1454	1469
	108	331	360	389	426	498	545	585	636	678	756	811	868	922	1043	1105	1235	1349	1445	1510	1520

Includes Single Slat P.V.C. or Aluminum Valance

Aluminum or PVC blinds, valance returns are not standard for inside mount.

Blinds to the right of this line are not recommended to be made as a single unit. The weight of the blind makes it difficult to operate. Blinds to right of this line made as a single unit will void the manufacturer's warranty..

HORIZONTAL BLIND SURCHARGE OPTIONS:

Privacy Cloth Tape	15%
Privacy Vinyl Tape (2" Aluminum)	30%
Tile Cut-Out (charge per side)	\$ 15.00 Net
2-on-1 Headrail Blind	\$ 20.00 Net
3-on-1 Headrail Blind	\$ 30.00 Net
Slanted Top Blind	\$ 125.00 Net
Undersized Blind (12" and less in width)	\$ 20.00 Net
Oversized Blind (greater than 108" in length)	\$ 10.00 Net
Hold Down Brackets Upon Request	No Charge

2" PVC Colors:

Ivory
Light Grey
Off White
Snow White

For 2-on-1 or 3-on-1 blinds, price as individual units and add together
2-on-1 or 3-on-1 available as cord tilt only with standard controls
Light gap between blinds for 2-on-1 or 3-on-1 is 1/8"
Maximum size for a multi-blind headrail is 144" and must be a 3-on-1
Please specify when ordering multiple individual blinds to go in one window

All prices are in U.S. Dollars and do not include freight, duties or taxes for shipments to Alaska, Hawaii or Canada. GST and VAT are not included. Other restrictions and surcharges may apply. See Freight Policy for complete details.

Manufacturing specifications, options, surcharges and pricing are subject to change without notice.

Visit www.mariak.com for the most recent downloads.

Blinds less than 102" in width shipped via FedEx: \$4.00 / unit Net Freight Charge

Blinds 102-1/8" to 125" in width shipped via FedEx: \$75.00 / unit Net Freight Charge

Blinds 125 1/8" or greater in width shipped via Common Carrier: \$ 150.00 per shipment (up to 25 blinds)

Additional freight will apply and a freight quote is required for orders over 25 blinds.

Mariak

1" Fauxwood Horizontal Blinds - Standard Colors

Suggested Retail Price Table D (Standard Colors)

Cord Tilt Standard - Optional Wand Tilt Available

Length	Width												
	24	30	36	42	48	54	60	66	72	78	84	90	96
30	220	342	370	397	438	490	588	606	628	718	802	855	906
36	279	397	411	454	486	575	657	693	709	802	895	952	1011
42	322	438	457	501	542	643	738	758	799	906	1011	1091	1170
48	349	466	494	546	597	706	799	851	897	1016	1132	1213	1291
54	394	519	540	597	657	778	873	948	1001	1125	1245	1331	1414
60	438	571	585	652	712	851	948	1028	1123	1239	1358	1447	1534
66	475	631	657	702	790	931	1040	1129	1199	1341	1482	1603	1722
72	516	652	676	762	855	1008	1125	1199	1270	1428	1579	1681	1781
78	532	682	718	784	880	1028	1167	1243	1362	1525	1688	1796	1900
84	575	696	738	835	946	1091	1185	1326	1463	1629	1792	1942	2086
90	605	733	770	728	996	1153	1263	1414	1608	1771	1933	2121	2304
96	633	768	802	1011	1046	1213	1341	1501	1754	1916	2076	2302	2525

Additional Notes:

1" Fauxwood blinds are not available with Cloth Tape, Routless, or Barrington Valance options.

1" Fauxwood blinds are built on a 1-1/2" D X 1" H Steel Headrail.

1" Rectangular Bottom Rail.

Cord Tilt Standard - Optional Wand Tilt Available

Blinds to the right of this line are not recommended to be made as a single unit. The weight of the blind makes it difficult to operate. Blinds to right of this line made as a single unit will void the manufacturer's warranty.

Valance Notes:

The 3 1/4" Royal Valance is used as a *standard* for Fauxwood.

The 5 1/2" Barrington Valance is **NOT** available with 1" Fauxwood Blinds.

HORIZONTAL BLIND SURCHARGE OPTIONS:

RealGrain aka Crownwood Fauxwood	20%
Tile Cut-Out (charge per side)	\$ 15.00 Net
2-on-1 Headrail Blind	\$ 20.00 Net
3-on-1 Headrail Blind	\$ 30.00 Net
Slanted Top Blind	\$ 125.00 Net
Undersized Blind (12" and less in width)	\$ 20.00 Net
Oversized Blind (greater than 96" in length)	\$ 10.00 Net
Hold Down Brackets Upon Request	No Charge

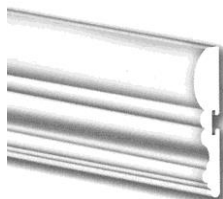
1" Fauxwood Colors:

- 100 - Bright White Smooth
- 110 - Snow White Smooth
- 120 - Pearl White Smooth
- 130 - Oyster White Smooth

For 2-on-1 or 3-on-1 blinds, price as individual units and add together

Light gap between blinds for 2-on-1 or 3-on-1 is 1/8"

Please specify when ordering multiple individual blinds to go into one window



Royal Valance

All prices are in U.S. Dollars and do not include freight, duties or taxes for shipments to Alaska, Hawaii or Canada. GST and VAT are not included. Other restrictions and surcharges may apply. See Freight Policy for complete details.

Manufacturing specifications, options, surcharges and pricing are subject to change without notice.

Visit www.mariak.com for the most recent downloads.

Blinds less than 102" in width shipped via FedEx: \$4.00 / unit Net Freight Charge

Blinds 102-1/8" to 125" in width shipped via FedEx: \$75.00 / unit Net Freight Charge

Blinds 125 1/8" or greater in width shipped via Common Carrier: \$ 150.00 per shipment (up to 25 blinds)

Additional freight will apply and a freight quote is required for orders over 25 blinds.

Mariak

1" Fauxwood Horizontal Blinds - RealGrain

Suggested Retail Price Table D (RealGrain aka Crownwood Finishes - 20% Surcharge has been added to table)

Cord Tilt Standard - Optional Wand Tilt Available

Length	Width												
	24	30	36	42	48	54	60	66	72	78	84	90	96
30	265	410	444	477	527	589	706	727	753	862	964	1027	1088
36	335	477	493	545	584	690	789	832	851	964	1074	1142	1214
42	386	527	549	602	652	772	886	909	959	1088	1214	1310	1404
48	419	560	593	656	717	847	959	1022	1077	1219	1359	1456	1550
54	473	623	648	717	789	934	1048	1138	1202	1350	1495	1597	1697
60	527	686	702	783	854	1022	1138	1234	1347	1488	1629	1737	1841
66	570	758	789	843	948	1117	1248	1355	1439	1609	1779	1924	2066
72	620	783	812	915	1027	1210	1350	1439	1525	1714	1895	2018	2138
78	639	818	862	941	1057	1234	1401	1492	1634	1831	2026	2155	2280
84	690	836	886	1002	1135	1310	1422	1592	1756	1956	2151	2331	2503
90	726	879	924	874	1195	1384	1516	1697	1931	2125	2320	2545	2765
96	760	922	964	1214	1255	1456	1609	1802	2105	2300	2492	2763	3030

Additional Notes:

1" Fauxwood blinds are not available with Cloth Tape, Routless, or Barrington Valance options.

1" Fauxwood blinds are built on a 1-1/2" D X 1" H Steel Headrail.

1" Rectangular Bottom Rail.

Cord Tilt Standard - Optional Wand Tilt Available

Blinds to the right of this line are not recommended to be made as a single unit. The weight of the blind makes it difficult to operate. Blinds to right of this line made as a single unit will void the manufacturer's warranty.

Valance Notes:

The 3 1/4" Royal Valance is used as a *standard* for Fauxwood.

The 5 1/2" Barrington Valance is NOT available with 1" Fauxwood Blinds.

HORIZONTAL BLIND SURCHARGE OPTIONS:

RealGrain aka Crownwood Fauxwood	20% INCLUDED
Tile Cut-Out (charge per side)	\$ 15.00 Net
2-on-1 Headrail Blind	\$ 20.00 Net
3-on-1 Headrail Blind	\$ 30.00 Net
Slanted Top Blind	\$ 125.00 Net
Undersized Blind (12" and less in width)	\$ 20.00 Net
Oversized Blind (greater than 96" in length)	\$ 10.00 Net
Hold Down Brackets Upon Request	No Charge

1" Fauxwood RealGrain Colors:

- 9250 - Bamboo RealGrain
- 9251 - Natural RealGrain
- 9252 - Maple RealGrain
- 9253 - Pecan RealGrain
- 9254 - Oak RealGrain
- 9256 - Chesnut RealGrain
- 9257 - Mahogany RealGrain
- 9258 - Dark Walnut RealGrain
- 9259 - Cinnamon RealGrain

For 2-on-1 or 3-on-1 blinds, price as individual units and add together

Light gap between blinds for 2-on-1 or 3-on-1 is 1/8"

Please specify when ordering multiple individual blinds to go into one window



Royal Valance

All prices are in U.S. Dollars and do not include freight, duties or taxes for shipments to Alaska, Hawaii or Canada. GST and VAT are not included. Other restrictions and surcharges may apply. See Freight Policy for complete details.

Manufacturing specifications, options, surcharges and pricing are subject to change without notice.

Visit www.mariak.com for the most recent downloads.

Blinds less than 102" in width shipped via FedEx: \$4.00 / unit Net Freight Charge

Blinds 102-1/8" to 125" in width shipped via FedEx: \$75.00 / unit Net Freight Charge

Blinds 125 1/8" or greater in width shipped via Common Carrier: \$ 150.00 per shipment (up to 25 blinds)

Additional freight will apply and a freight quote is required for orders over 25 blinds.

12.1.14kb +4%

Mariak

2" Fauxwood Horizontal Blinds - Standard Colors

Suggested Retail Price Table B (Standard Colors)

Length	Width																				
	24	30	36	42	48	54	60	66	72	78	84	90	96	102	108	114	120	126	132	138	144
30	178	237	296	322	347	390	439	477	490	516	549	580	616	715	749	784	817	854	890	925	961
36	210	260	327	359	386	449	501	543	560	580	612	652	687	794	829	863	897	931	968	1006	1043
42	243	303	360	397	430	502	566	596	629	655	691	741	783	898	932	967	1002	1037	1073	1108	1144
48	268	334	394	437	477	550	616	674	706	735	776	838	883	1009	1044	1078	1112	1147	1180	1214	1247
54	296	362	429	478	520	612	679	748	791	827	876	931	992	1128	1163	1198	1232	1272	1311	1349	1390
60	325	393	466	515	568	667	736	811	860	898	953	1017	1076	1221	1257	1290	1325	1363	1397	1433	1468
66	352	423	500	554	623	731	806	891	948	988	1045	1110	1303	1469	1503	1540	1574	1622	1674	1722	1770
72	385	453	534	600	680	794	874	947	1005	1050	1111	1188	1420	1600	1635	1669	1720	1768	1819	1869	1919
78	404	462	549	618	697	813	897	977	1075	1124	1191	1273	1538	1730	1764	1921	1994	2065	2137	2209	2280
84	431	496	585	662	751	858	951	1045	1154	1207	1286	1548	1655	1860	1900	2018	2268	2411	2555	2698	2841
90	454	525	619	704	795	907	1027	1109	1222	1273	1558	1667	1773	1919	2012	2113	2364	2614	2629	3001	3196
96	471	541	638	733	829	953	1050	1186	1303	1558	1685	1813	1942	2018	2160	2290	2472	2651	2762	3099	3258
102	535	616	727	832	948	1100	1207	1181	1528	1793	1934	2072	2244	2351	2458	2542	2638	2734	2828	3163	3341
108	551	634	751	855	980	1144	1254	1465	1616	1864	2005	2101	2280	2423	2517	2614	2769	2924	3079	3235	3391
114	569	652	775	879	1013	1189	1300	1542	1705	1937	2018	2160	2303	2436	2542	2673	2841	3008	3175	3341	3509
120	589	668	799	903	1047	1234	1345	1617	1793	1972	2065	2232	2376	2555	2710	2805	2912	3341	3556	3772	3986

HORIZONTAL BLIND SURCHARGE OPTIONS:	
Privacy Cloth Tape	15%
Routless Privacy Ladder	10%
RealGrain Fauxwood	20%
Textured or Sandblast Fauxwood	Free Upgrade
Distressed Basswood	DISCONTINUED
Barrington Valance (Basswood only available in Whites)	\$ 4.00 Net
Tile Cut-Out (charge per side)	\$ 15.00 Net
2-on-1 Headrail Blind	\$ 20.00 Net
3-on-1 Headrail Blind	\$ 30.00 Net
Slanted Top Blind	\$ 125.00 Net
Undersized Blind (12" and less in width)	\$ 20.00 Net
Oversized Blind (greater than 120" in length)	\$ 10.00 Net
Cordless Blind	\$ 25.00 Net
Magnetic Valance Attachment	\$2.00 Net
Hold Down Brackets Upon Request	No Charge

For 2-on-1 or 3-on-1 blinds, price as individual units and add together
2-on-1 or 3-on-1 available as cord tilt only with standard controls
Light gap between blinds for 2-on-1 or 3-on-1 is 1/8"
Maximum size for a multi-blind headrail is 144" and must be 3-on-1
Please specify when ordering multiple individual blinds to go in one window

Blinds to the right of this line are not recommended to be made as a single unit. The weight of the blind makes it difficult to operate. Blinds to right of this line made as a single unit will void the manufacturer's warranty.

Valance Notes:
The 3 1/4" Royal Valance is used as a <i>standard</i> for Fauxwood and Basswood blinds.
The 5 1/2" Barrington Valance is optional and incurs a \$4.00 per blind net surcharge.
Routless Privacy Ladder is not available for 2-on-1 or 3-on-1 blinds.



Royal Valance



Barrington Valance

All prices are in U.S. Dollars and do not include freight, duties or taxes for shipments to Alaska, Hawaii or Canada. GST and VAT are not included. Other restrictions and surcharges may apply. See Freight Policy for complete details. Manufacturing specifications, options, surcharges and pricing are subject to change without notice. Visit www.mariak.com for the most recent downloads.

Blinds less than 96" in width shipped via FedEx: \$4.00 / unit Net Freight Charge
 Blinds 96-1/8" to 125" in width shipped via FedEx: \$75.00 / unit Net Freight Charge
 Blinds 125 1/8" or greater in width shipped via Common Carrier: \$ 150.00 per shipment (up to 25 blinds)
 Additional freight will apply and a freight quote is required for orders over 25 blinds.

Mariak

2" Fauxwood Horizontal Blinds - RealGrain

Suggested Retail Price Table B (RealGrain Finishes - 20% Surcharge has been added to table)

		Width																				
		24	30	36	42	48	54	60	66	72	78	84	90	96	102	108	114	120	126	132	138	144
Length	30	215	284	355	386	416	468	528	572	589	620	659	696	740	858	899	941	980	1026	1068	1110	1154
	36	252	312	393	431	464	539	602	653	672	696	735	783	824	953	996	1035	1077	1117	1161	1208	1252
	42	292	364	433	477	516	603	680	716	754	786	829	890	940	1078	1120	1160	1203	1245	1288	1330	1373
	48	322	402	473	525	572	660	740	810	847	882	932	1005	1060	1211	1253	1294	1335	1376	1416	1458	1497
	54	355	435	515	574	624	735	815	898	949	993	1052	1117	1190	1354	1396	1438	1478	1527	1573	1620	1669
	60	390	472	560	618	683	801	883	973	1032	1078	1144	1220	1291	1466	1508	1548	1591	1635	1677	1720	1762
	66	423	508	600	665	748	877	968	1070	1138	1186	1254	1333	1564	1763	1804	1848	1889	1946	2009	2066	2124
	72	462	543	641	720	816	953	1049	1136	1207	1260	1334	1426	1704	1920	1963	2002	2064	2122	2183	2244	2303
	78	485	555	659	742	837	976	1077	1173	1290	1348	1429	1528	1845	2076	2118	2306	2394	2478	2564	2651	2737
	84	517	595	702	795	902	1030	1141	1254	1385	1448	1544	1858	1987	2232	2280	2422	2721	2894	3066	3238	3410
	90	545	630	743	845	954	1089	1233	1332	1467	1528	1870	2000	2127	2303	2414	2536	2837	3137	3155	3601	3836
	96	565	649	766	879	996	1144	1260	1423	1564	1870	2022	2176	2331	2422	2592	2748	2967	3182	3314	3718	3910
102	642	740	873	999	1138	1320	1448	1417	1834	2152	2321	2487	2693	2821	2950	3051	3166	3281	3394	3796	4010	
108	661	761	902	1027	1177	1373	1504	1758	1939	2238	2406	2521	2737	2907	3021	3137	3323	3509	3695	3882	4069	
114	684	783	930	1055	1216	1427	1560	1851	2046	2325	2422	2592	2764	2924	3051	3208	3410	3610	3810	4010	4211	
120	708	802	959	1084	1257	1481	1615	1940	2152	2368	2478	2680	2851	3066	3252	3367	3495	4010	4268	4527	4783	

HORIZONTAL BLIND SURCHARGE OPTIONS:	
Privacy Cloth Tape	15%
Routless Privacy Ladder	10%
RealGrain Fauxwood	20% INCLUDED
Textured or Sandblast Fauxwood	Free Upgrade
Distressed Basswood	DISCONTINUED
Barrington Valance (Basswood only available in Whites)	\$ 4.00 Net
Tile Cut-Out (charge per side)	\$ 15.00 Net
2-on-1 Headrail Blind	\$ 20.00 Net
3-on-1 Headrail Blind	\$ 30.00 Net
Slanted Top Blind	\$ 125.00 Net
Undersized Blind (12" and less in width)	\$ 20.00 Net
Oversized Blind (greater than 120" in length)	\$ 10.00 Net
Cordless Blind	\$ 25.00 Net
Magnetic Valance Attachment	\$2.00 Net
Hold Down Brackets Upon Request	No Charge

For 2-on-1 or 3-on-1 blinds, price as individual units and add together

2-on-1 or 3-on-1 available as cord tilt only with standard controls

Light gap between blinds for 2-on-1 or 3-on-1 is 1/8"

Maximum size for a multi-blind headrail is 144" and must be 3-on-1

Please specify when ordering multiple individual blinds to go in one window

Blinds to the right of this line are not recommended to be made as a single unit. The weight of the blind makes it difficult to operate. Blinds to right of this line made as a single unit will void the manufacturer's warranty.

Valance Notes:

The 3 1/2" Royal Valance is used as a *standard* for Fauxwood and Basswood blinds.

The 5 1/2" Barrington Valance is optional and incurs a \$4.00 per blind net surcharge.

Routless Privacy Ladder is not available for 2-on-1 or 3-on-1 blinds.



Royal Valance



Barrington Valance

All prices are in U.S. Dollars and do not include freight, duties or taxes for shipments to Alaska, Hawaii or Canada. GST and VAT are not included. Other restrictions and surcharges may apply. See Freight Policy for complete details.

Manufacturing specifications, options, surcharges and pricing are subject to change without notice.

Visit www.mariak.com for the most recent downloads.

Blinds less than 96" in width shipped via FedEx: \$4.00 / unit Net Freight Charge

Blinds 96-1/8" to 125" in width shipped via FedEx: \$75.00 / unit Net Freight Charge

Blinds 125 1/8" or greater in width shipped via Common Carrier: \$ 150.00 per shipment (up to 25 blinds)

Additional freight will apply and a freight quote is required for orders over 25 blinds.

Mariak

2 1/2" Fauxwood Horizontal Blinds - Standard Colors

Suggested Retail Price Table C (Standard Colors)

Available as Cord Tilt or Motorized Only - Wand Tilt is NOT Available.

		Width																
		24"	30"	36"	42"	48"	54"	60"	66"	72"	78"	84"	90"	96"	102"	108"	114"	120"
Length	24"	201	251	295	340	376	412	456	492	539	565	604	635	657	749	773	796	818
	30"	266	331	377	423	468	507	550	592	633	648	693	733	757	862	887	912	935
	36"	330	412	457	503	551	601	653	698	748	770	817	866	894	1019	1052	1084	1118
	42"	362	452	502	558	612	668	721	776	840	865	927	983	1024	1163	1196	1230	1263
	48"	388	484	540	602	667	727	795	873	950	977	1052	1111	1158	1325	1372	1420	1466
	54"	437	546	628	702	771	856	934	1023	1110	1138	1202	1270	1334	1538	1601	1664	1729
	60"	493	616	700	791	862	949	1029	1128	1224	1256	1331	1438	1469	1688	1754	1818	1884
	66"	534	667	761	836	943	1046	1135	1247	1324	1368	1463	1553	1659	1944	2052	2156	2265
	72"	550	687	780	879	988	1107	1203	1325	1407	1503	1614	1711	1822	2139	2264	2386	2510
	78"	579	723	812	917	1028	1155	1258	1382	1469	1573	1688	1782	2181	2510	2610	2711	2761
	84"	616	770	856	968	1085	1225	1334	1463	1555	1668	1800	2181	2359	2708	2806	2824	2892
	90"	650	812	912	1037	1172	1305	1422	1554	1662	1782	2169	2332	2538	2903	2941	3024	3126
	96"	690	862	961	1097	1235	1387	1504	1822	1988	2152	2320	2483	2716	3140	3191	3224	3325
	102"	799	999	1110	1258	1413	1579	1709	2058	2240	2422	2603	2606	2824	3291	3393	3408	3575
	108"	839	1048	1158	1306	1462	1630	1758	2106	2288	2470	2657	2816	3024	3442	3525	3558	3793
	114"	879	1098	1208	1354	1508	1677	1807	2154	2335	2690	2824	2957	3204	3558	3660	3742	3976
120"	917	1146	1256	1402	1557	1726	1855	2203	2406	2792	3175	3308	3458	3694	3876	3976	4077	

HORIZONTAL BLIND SURCHARGE

Routless Privacy Ladder	10%
RealGrain Fauxwood	20%
Textured or Sandblast Fauxwood	Free Upgrade
Distressed Basswood	DISCONTINUED
Barrington Valance	\$ 4.00 Net
Tile Cut-Out (charge per side)	\$ 15.00 Net
2-on-1 Headrail Blind	\$ 20.00 Net
3-on-1 Headrail Blind	\$ 30.00 Net
Slanted Top Blind	\$ 125.00 Net
Undersized Blind (12" and less in width)	\$ 20.00 Net
Oversized Blind (greater than 120" in length)	\$ 10.00 Net
Cordless Blind	\$ 25.00 Net
Magnetic Valance Attachment	\$2.00 Net
Hold Down Brackets Upon Request	No Charge

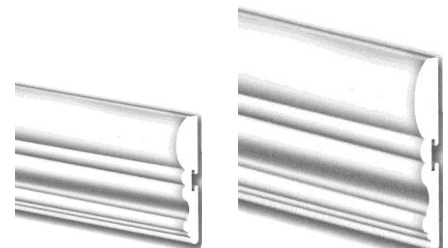
For 2-on-1 or 3-on-1 blinds, price as individual units and add together
 2-on-1 or 3-on-1 available as cord tilt only with standard controls
 Light gap between blinds for 2-on-1 or 3-on-1 is 1/8"
 Maximum size for a multi-blind headrail is 120" and must be a 3-on-1
 Please specify when ordering multiple individual blinds to go in one window

Blinds to the right of this line are not recommended to be made as a single unit. The weight of the blind makes it difficult to operate. Blinds to right of this line made as a single unit will void the manufacturer's warranty.

Valance Notes:

The 3 1/4" Royal Valance is used as a standard for Fauxwood and Basswood blinds.
 The 5 1/2" Barrington Valance is optional and incurs a \$4.00 per blind net surcharge.

Routless Privacy Ladder is not available for 2-on-1 or 3-on-1 blinds.



Royal Valance

Barrington Valance

All prices are in U.S. Dollars and do not include freight, duties or taxes for shipments to Alaska, Hawaii or Canada. GST and VAT are not included. Other restrictions and surcharges may apply. See Freight Policy for complete details.
 Manufacturing specifications, options, surcharges and pricing are subject to change without notice.
 Visit www.mariak.com for the most recent downloads.

Blinds less than 96" in width shipped via FedEx: \$4.00 / unit Net Freight Charge

Blinds 96-1/8" to 125" in width shipped via FedEx: \$75.00 / unit Net Freight Charge

Blinds 125 1/8" or greater in width shipped via Common Carrier: \$ 150.00 per shipment (up to 25 blinds)

Additional freight will apply and a freight quote is required for orders over 25 blinds.

Mariak

2 1/2" Fauxwood Horizontal Blinds - RealGrain

Suggested Retail Price Table C (RealGrain Finishes - 20% surcharge has been added to table)

Available as Cord Tilt or Motorized Only - Wand Tilt is NOT Available.

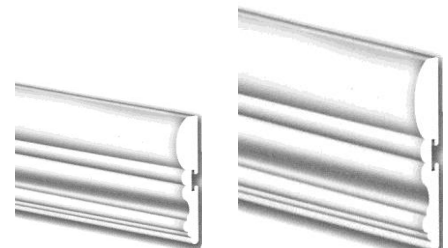
		Width																
		24"	30"	36"	42"	48"	54"	60"	66"	72"	78"	84"	90"	96"	102"	108"	114"	120"
Length	24"	242	302	354	408	452	496	548	591	647	679	724	762	789	899	928	955	982
	30"	319	398	453	508	562	609	660	711	760	778	832	879	908	1034	1064	1095	1123
	36"	397	496	549	604	661	721	784	839	898	924	980	1039	1073	1222	1263	1302	1342
	42"	435	542	603	670	735	802	866	932	1008	1038	1113	1180	1229	1396	1436	1476	1516
	48"	466	581	648	722	801	873	954	1048	1140	1173	1263	1334	1390	1591	1647	1704	1759
	54"	525	656	753	843	926	1028	1122	1228	1333	1366	1442	1525	1601	1845	1921	1997	2075
	60"	592	740	841	949	1034	1139	1235	1354	1469	1507	1597	1726	1763	2026	2105	2182	2261
	66"	641	801	914	1003	1132	1255	1363	1497	1590	1642	1756	1864	1991	2333	2463	2588	2718
	72"	660	824	936	1055	1186	1329	1444	1591	1688	1804	1937	2053	2187	2567	2717	2864	3012
	78"	695	868	974	1101	1234	1386	1510	1658	1763	1888	2026	2139	2618	3012	3132	3254	3313
	84"	740	924	1028	1161	1303	1470	1601	1756	1866	2001	2160	2618	2831	3249	3368	3389	3470
	90"	780	974	1095	1245	1407	1566	1707	1865	1995	2139	2603	2799	3046	3484	3529	3629	3751
	96"	828	1034	1154	1316	1482	1664	1806	2187	2386	2583	2784	2980	3260	3768	3830	3869	3991
	102"	959	1199	1333	1510	1696	1895	2051	2469	2688	2906	3124	3127	3389	3949	4072	4090	4290
	108"	1007	1258	1390	1567	1754	1957	2110	2528	2746	2964	3188	3379	3629	4130	4230	4271	4553
	114"	1055	1317	1450	1625	1810	2013	2169	2586	2802	3229	3389	3549	3844	4271	4392	4491	4772
120"	1101	1375	1507	1683	1869	2071	2226	2644	2888	3350	3810	3969	4150	4433	4651	4772	4893	

HORIZONTAL BLIND SURCHARGE	
Routless Privacy Ladder	10%
RealGrain Fauxwood	20% INCLUDED
Textured or Sandblast Fauxwood	Free Upgrade
Distressed Basswood	DISCONTINUED
Barrington Valance	\$ 4.00 Net
Tile Cut-Out (charge per side)	\$ 15.00 Net
2-on-1 Headrail Blind	\$ 20.00 Net
3-on-1 Headrail Blind	\$ 30.00 Net
Slanted Top Blind	\$ 125.00 Net
Undersized Blind (12" and less in width)	\$20.00 Net
Oversized Blind (greater than 120" in length)	\$ 10.00 Net
Cordless Blind	\$ 25.00 Net
Magnetic Valance Attachment	\$2.00 Net
Hold Down Brackets Upon Request	No Charge

For 2-on-1 or 3-on-1 blinds, price as individual units and add together
 2-on-1 or 3-on-1 available as cord tilt only with standard controls
 Light gap between blinds for 2-on-1 or 3-on-1 is 1/8"
 Maximum size for a multi-blind headrail is 120" and must be a 3-on-1
 Please specify when ordering multiple individual blinds to go in one window

Blinds to the right of this line are not recommended to be made as a single unit. The weight of the blind makes it difficult to operate. Blinds to right of this line made as a single unit will void the manufacturer's warranty.

Valance Notes:
 The 3 1/4" Royal Valance is used as a standard for Fauxwood and Basswood blinds.
 The 5 1/2" Barrington Valance is optional and incurs a \$4.00 per blind net surcharge.
 Routless Privacy Ladder is not available for 2-on-1 or 3-on-1 blinds.



Royal Valance Barrington Valance

All prices are in U.S. Dollars and do not include freight, duties or taxes for shipments to Alaska, Hawaii or Canada. GST and VAT are not included. Other restrictions and surcharges may apply. See Freight Policy for complete details.
 Manufacturing specifications, options, surcharges and pricing are subject to change without notice.
 Visit www.mariak.com for the most recent downloads.

Blinds less than 96" in width shipped via FedEx: \$4.00 / unit Net Freight Charge
 Blinds 96-1/8" to 125" in width shipped via FedEx: \$75.00 / unit Net Freight Charge
 Blinds 125 1/8" or greater in width shipped via Common Carrier: \$ 150.00 per shipment (up to 25 blinds)
 Additional freight will apply and a freight quote is required for orders over 25 blinds.

Mariak

1" Basswood Horizontal Blinds

Suggested Retail Price Table D

Cord Tilt Standard - Optional Wand Tilt Available

Length	Width												
	24	30	36	42	48	54	60	66	72	78	84	90	96
30	220	342	370	397	438	490	588	606	628	718	802	855	906
36	279	397	411	454	486	575	657	693	709	802	895	952	1011
42	322	438	457	501	542	643	738	758	799	906	1011	1091	1170
48	349	466	494	546	597	706	799	851	897	1016	1132	1213	1291
54	394	519	540	597	657	778	873	948	1001	1125	1245	1331	1414
60	438	571	585	652	712	851	948	1028	1123	1239	1358	1447	1534
66	475	631	657	702	790	931	1040	1129	1199	1341	1482	1603	1722
72	516	652	676	762	855	1008	1125	1199	1270	1428	1579	1681	1781
78	532	682	718	784	880	1028	1167	1243	1362	1525	1688	1796	1900
84	575	696	738	835	946	1091	1185	1326	1463	1629	1792	1942	2086
90	605	733	770	728	996	1153	1263	1414	1608	1771	1933	2121	2304
96	633	768	802	1011	1046	1213	1341	1501	1754	1916	2076	2302	2525

Additional Notes:

1" Basswood blinds are not available with Cloth Tape, Routless, or Barrington Valance options.

1" Fauxwood blinds are built on a 1-1/2" D X 1" H Steel Headrail.

1" Rectangular Bottom Rail.

Cord Tilt Standard - Optional Wand Tilt Available

Blinds to the right of this line are not recommended to be made as a single unit. The weight of the blind makes it difficult to operate. Blinds to right of this line made as a single unit will void the manufacturer's warranty.

Valance Notes:

The 3 1/4" Royal Valance is used as a *standard* for Fauxwood.

The 5 1/2" Barrington Valance is **NOT** available with 1" Fauxwood Blinds.

HORIZONTAL BLIND SURCHARGE OPTIONS:

Tile Cut-Out (charge per side)	\$ 15.00 Net
2-on-1 Headrail Blind	\$ 20.00 Net
3-on-1 Headrail Blind	\$ 30.00 Net
Slanted Top Blind	\$ 125.00 Net
Undersized Blind (12" and less in width)	\$ 20.00 Net
Oversized Blind (greater than 96" in length)	\$ 10.00 Net
Hold Down Brackets Upon Request	No Charge

For 2-on-1 or 3-on-1 blinds, price as individual units and add together

Light gap between blinds for 2-on-1 or 3-on-1 is 1/8"

Please specify when ordering multiple individual blinds to go into one window

1" Basswood Colors:

- 100 - Snow White
- 120 - Crisp White
- 130 - White
- 140 - Swiss Coffee
- 150 - Colonial White
- 250 - Golden Oak
- 255 - Red Oak
- 260 - Light Pecan
- 265 - Pecan
- 270 - Summer Pecan
- 275 - Cherry
- 280 - Warm Cherry
- 285 - Sugar Maple
- 290 - Cottage
- 295 - Mahogany
- 315 - Espresso

Royal Valance



All prices are in U.S. Dollars and do not include freight, duties or taxes for shipments to Alaska, Hawaii or Canada. GST and VAT are not included. Other restrictions and surcharges may apply. See Freight Policy for complete details.

Manufacturing specifications, options, surcharges and pricing are subject to change without notice.

Visit www.mariak.com for the most recent downloads.

Blinds less than 102" in width shipped via FedEx: \$4.00 / unit Net Freight Charge

Blinds 102-1/8" to 125" in width shipped via FedEx: \$75.00 / unit Net Freight Charge

Blinds 125 1/8" or greater in width shipped via Common Carrier: \$ 150.00 per shipment (up to 25 blinds)

Additional freight will apply and a freight quote is required for orders over 25 blinds.

Mariak

2" Basswood Horizontal Blinds

Suggested Retail Price Table B1

Length	Width																				
	24	30	36	42	48	54	60	66	72	78	84	90	96	102	108	114	120	126	132	138	144
30	175	232	290	316	340	383	431	467	481	506	538	568	604	701	735	768	801	838	872	907	943
36	205	255	321	352	379	440	491	533	549	568	600	639	673	778	813	846	879	913	949	986	1022
42	238	297	353	389	422	492	555	585	616	642	678	726	767	880	914	948	982	1017	1052	1086	1122
48	263	328	386	429	467	539	604	661	692	720	761	821	866	990	1023	1057	1090	1124	1157	1190	1222
54	290	355	421	468	510	600	665	734	775	811	858	913	972	1106	1140	1174	1208	1247	1285	1323	1363
60	319	385	457	505	557	654	721	795	843	880	934	997	1055	1198	1232	1265	1299	1336	1370	1404	1439
66	345	414	490	543	611	716	791	873	929	969	1024	1088	1277	1440	1474	1510	1543	1590	1641	1688	1735
72	378	444	524	588	666	778	857	928	985	1029	1089	1165	1392	1569	1603	1636	1686	1734	1784	1833	1882
78	396	453	538	606	684	797	879	958	1054	1102	1168	1248	1507	1696	1730	1884	1955	2024	2095	2166	2235
84	423	486	574	649	737	842	932	1024	1131	1183	1261	1518	1623	1824	1862	1979	2223	2364	2505	2645	2785
90	445	514	607	690	779	890	1007	1087	1199	1248	1528	1634	1738	1882	1972	2071	2318	2563	2577	2942	3134
96	461	531	626	718	813	934	1029	1163	1277	1528	1652	1778	1904	1979	2117	2245	2423	2599	2708	3038	3194
102	525	604	713	816	929	1078	1183	1362	1498	1758	1896	2032	2200	2305	2410	2492	2586	2680	2773	3101	3275
108	540	621	737	839	961	1122	1229	1436	1584	1828	1965	2060	2235	2375	2468	2563	2715	2867	3019	3171	3324
114	558	639	760	862	994	1166	1274	1512	1672	1898	1979	2117	2258	2388	2492	2621	2785	2949	3112	3275	3441
120	578	655	784	886	1026	1210	1319	1585	1758	1934	2024	2189	2329	2505	2657	2750	2855	3275	3487	3698	3908

HORIZONTAL BLIND SURCHARGE OPTIONS:

Privacy Cloth Tape	15%
Routless Privacy Ladder	10%
RealGrain Fauxwood	20%
Textured or Sandblast Fauxwood	Free Upgrade
Distressed Basswood	DISCONTINUED
Barrington Valance (Basswood only available in Whites)	\$ 4.00 Net
Tile Cut-Out (charge per side)	\$ 15.00 Net
2-on-1 Headrail Blind	\$ 20.00 Net
3-on-1 Headrail Blind	\$ 30.00 Net
Slanted Top Blind	\$ 125.00 Net
Undersized Blind (12" and less in width)	\$ 20.00 Net
Oversized Blind (greater than 120" in length)	\$ 10.00 Net
Cordless Blind	\$ 25.00 Net
Magnetic Valance Attachment	\$2.00 Net
Hold Down Brackets Upon Request	No Charge

For 2-on-1 or 3-on-1 blinds, price as individual units and add together

2-on-1 or 3-on-1 available as cord tilt only with standard controls

Light gap between blinds for 2-on-1 or 3-on-1 is 1/8"

Maximum size for a multi-blind headrail is 144" and must be 3-on-1

Please specify when ordering multiple individual blinds to go in one window

Blinds to the right of this line are not recommended to be made as a single unit. The weight of the blind makes it difficult to operate. Blinds to right of this line made as a single unit will void the manufacturer's warranty.

Valance Notes:

The 3 1/4" Royal Valance is used as a *standard* for Fauxwood and Basswood blinds.

The 5 1/2" Barrington Valance is optional and incurs a \$4.00 per blind net surcharge.

Routless Privacy Ladder is not available for 2-on-1 or 3-on-1 blinds.



Royal Valance



Barrington Valance

All prices are in U.S. Dollars and do not include freight, duties or taxes for shipments to Alaska, Hawaii or Canada. GST and VAT are not included. Other restrictions and surcharges may apply. See Freight Policy for complete details.

Manufacturing specifications, options, surcharges and pricing are subject to change without notice.

Visit www.mariak.com for the most recent downloads.

Blinds less than 96" in width shipped via FedEx: \$4.00 / unit Net Freight Charge

Blinds 96-1/8" to 125" in width shipped via FedEx: \$75.00 / unit Net Freight Charge

Blinds 125 1/8" or greater in width shipped via Common Carrier: \$ 150.00 per shipment (up to 25 blinds)

Additional freight will apply and a freight quote is required for orders over 25 blinds.

Mariak

2½" Basswood Horizontal Blinds

Suggested Retail Price Table C1

Available as Cord Tilt or Motorized Only - Wand Tilt is NOT Available.

		Width																
		24"	30"	36"	42"	48"	54"	60"	66"	72"	78"	84"	90"	96"	102"	108"	114"	120"
Length	24"	197	246	289	333	369	404	447	483	529	554	592	622	644	735	758	780	802
	30"	260	325	370	414	459	497	539	581	620	636	680	718	742	845	869	894	917
	36"	324	404	448	493	540	589	640	685	734	754	801	849	876	999	1031	1063	1097
	42"	355	442	492	546	600	655	707	761	823	848	909	967	1004	1140	1173	1206	1238
	48"	381	475	530	590	654	713	779	856	931	958	1031	1089	1135	1299	1345	1392	1437
	54"	429	536	615	689	756	840	916	1003	1088	1116	1178	1245	1308	1507	1570	1632	1695
	60"	484	604	687	775	845	930	1009	1106	1200	1231	1305	1410	1440	1655	1720	1783	1846
	66"	524	654	746	819	924	1025	1113	1222	1298	1341	1434	1523	1627	1906	2012	2114	2220
	72"	539	673	765	862	969	1085	1179	1299	1378	1474	1582	1678	1786	2097	2219	2339	2461
	78"	567	709	796	899	1008	1132	1233	1355	1440	1542	1655	1747	2139	2461	2559	2658	2707
	84"	604	754	840	949	1064	1201	1308	1434	1525	1635	1764	2139	2313	2655	2751	2769	2834
	90"	638	796	894	1017	1149	1279	1394	1524	1630	1747	2126	2286	2488	2846	2883	2964	3064
	96"	676	845	943	1075	1211	1360	1475	1786	1949	2110	2274	2434	2663	3079	3129	3161	3260
102"	784	979	1088	1233	1385	1548	1676	2017	2196	2374	2552	2555	2769	3227	3326	3341	3505	
108"	822	1027	1135	1280	1433	1598	1724	2065	2244	2422	2605	2761	2964	3374	3456	3489	3718	
114"	862	1076	1184	1326	1479	1644	1772	2112	2290	2637	2769	2899	3141	3489	3588	3669	3898	
120"	899	1123	1231	1375	1527	1692	1818	2160	2359	2737	3112	3243	3391	3621	3800	3898	3997	

HORIZONTAL BLIND SURCHARGE

Routless Privacy Ladder	10%
RealGrain Fauxwood	20%
Textured or Sandblast Fauxwood	Free Upgrade
Distressed Basswood	DISCONTINUED
Barrington Valance	\$ 4.00 Net
Tile Cut-Out (charge per side)	\$ 15.00 Net
2-on-1 Headrail Blind	\$ 20.00 Net
3-on-1 Headrail Blind	\$ 30.00 Net
Slanted Top Blind	\$ 125.00 Net
Undersized Blind (12" and less in width)	\$ 20.00 Net
Oversized Blind (greater than 120" in length)	\$ 10.00 Net
Cordless Blind	\$ 25.00 Net
Magnetic Valance Attachment	\$2.00 Net
Hold Down Brackets Upon Request	No Charge

For 2-on-1 or 3-on-1 blinds, price as individual units and add together
 2-on-1 or 3-on-1 available as cord tilt only with standard controls
 Light gap between blinds for 2-on-1 or 3-on-1 is 1/8"
 Maximum size for a multi-blind headrail is 120" and must be a 3-on-1
 Please specify when ordering multiple individual blinds to go in one window

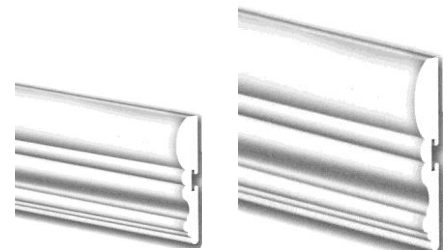
Blinds to the right of this line are not recommended to be made as a single unit. The weight of the blind makes it difficult to operate. Blinds to right of this line made as a single unit will void the manufacturer's warranty.

Valance Notes:

The 3 ¼" Royal Valance is used as a standard for Fauxwood and Basswood blinds.

The 5 ½" Barrington Valance is optional and incurs a \$4.00 per blind net surcharge.

Routless Privacy Ladder is not available for 2-on-1 or 3-on-1 blinds.



Royal Valance

Barrington Valance

All prices are in U.S. Dollars and do not include freight, duties or taxes for shipments to Alaska, Hawaii or Canada. GST and VAT are not included. Other restrictions and surcharges may apply. See Freight Policy for complete details.

Manufacturing specifications, options, surcharges and pricing are subject to change without notice.

Visit www.mariak.com for the most recent downloads.

Blinds less than 96" in width shipped via FedEx: \$4.00 / unit Net Freight Charge

Blinds 96-1/8" to 125" in width shipped via FedEx: \$75.00 / unit Net Freight Charge

Blinds 125 1/8" or greater in width shipped via Common Carrier: \$ 150.00 per shipment (up to 25 blinds)

Additional freight will apply and a freight quote is required for orders over 25 blinds.

Mariak

300050 Economy Stock Line 2" Fauxwood Blinds

2.17.15

Product Features:

- Low Profile Steel Headrail (1-1/2" High x 2" Deep)
- High Quality Polypropylene Components
- Heavy Duty Cord Tilt Mechanism for increased durability (wand not available)
- Trapezoid bottom rail for better tilt operation
- California Registered Flame Resistant Certified
- 500 hours of UV exposure equal to 5 years exposure with minimal gradual fading
- Product in Lead-Free
- In compliance with the latest manufacturing safety guidelines included with each blind are Warning Tags, Warning Labels and Cord Cleats.
- Installers of the finished product must adhere to the safety guidelines as established by the installation instructions and by using all devices provided by the manufacturer.
- 3 1/4" Royal Valance included.
- Clip-on inside mount returns included; Valance return size is 1-1/4" from outside measurement or 3/4" from inside measurement. (Upon request, 3 1/2" clip-on valance returns are available for no additional charge.)
- **1-Year Limited Lifetime Warranty** – repair/replacement at no charge should product become defective in material or workmanship during the warranty period excluding defects that result from misuse, improper installation or failure to follow operation and care instructions. Please see full warranty for additional details.
- **Color Options:**
 - 110 – Snow White Smooth** **175 – Cherry Embossed** **9256 – Chestnut RealGrain (15% surcharge applies)**
 - 120 – Pearl White Smooth** **155 – Natural Embossed** **9254 – Oak RealGrain (15% surcharge applies)**
 - 200 – Alabaster Smooth** **113 - Snow White Embossed & 123 - Pearl White Embossed NOW AVAILABLE!**



Surcharges & Guidelines:

- Maximum Cut-Down in Width: 4-1/2" (2-1/4" on each side); smaller size blinds may have additional cut-down limitations.
- Minimum Cut-Down in Width: 1/4"
- Inside Mount Deduction: 1/2" (If requested as Inside Mount, the factory will take a 1/2" deduction to the width)
- When requesting a cut-down of less than 1/2" in width, the blind will be trimmed on **1 side only**.
- When requesting a cut-down of 1/2" or more, the blind will be trimmed on **both sides**. When cutting a blind down on both sides, the factory will make every attempt to cut evenly from of each side (± 1/8").
- Cut down measurements must be ordered in 1/8" increments; cutting a blind down by less than 1/8" is not possible.
- Valance Length: As a factory standard, Valances will be made 2 1/4" wider than the width of the blind.
- **Surcharge for Cut-Down in Width = \$2.00 per blind**
-The \$2.00 surcharge for custom widths will only apply to custom, non-stock size widths.
- **Surcharge for finished length will be applied to ALL BLINDS = \$3.00 per blind**
- A single surcharge of \$3.00 per blind will apply to "stock" size drops/lengths as well as "custom" size drops/lengths.
- **Common Valance available for a \$10.00 Net Surcharge.** Maximum width for a single valance is 9' (108").

Pricing: \$2.00 per Square Foot – Price does not include Freight or Labor Surcharges

Economy 2" fauxwood blinds are priced by the square foot. Prices are based on the overall width and overall length dimensions of the stock blind size. A \$3.00 finishing surcharge will be applied to ALL BLINDS. If the blind requires a cut-down in width an additional surcharge of \$2.00 per blind will be applied.

Example: If a finished blind size of 45 1/2" x 46" is required, you will order a 48.0" x 48.0". If your price per square foot is \$2.00...

(48.0" X 48.0) / 144	= 16.0 Sq. Ft.
16.0 Sq.Ft. x \$2.00 Sq.Ft.	= \$ 32.00 (\$36.80 for Realgrain)
Width Cut-Down (When Applicable)	+ \$ 2.00
Finished Bottom (All Blinds)	+ \$ 3.00
Total Cost	= \$ 37.00 (\$41.80 for Realgrain)

Net Price Per Square Foot: \$2.00 (\$5.00 included for finishing to exact size. Add 15% for RealGrain)

	10"	18"	24"	28"	32"	36"	42"	45"	48"	54"	60"	66"	72"	78"	84"	90"	96"
36"	15.00	14.00	17.00	19.00	21.00	23.00	26.00	27.50	29.00	32.00	35.00	38.00	41.00	44.00	47.00	50.00	53.00
48"	15.00	17.00	21.00	23.67	26.33	29.00	33.00	35.00	37.00	41.00	45.00	49.00	53.00	57.00	61.00	65.00	69.00
60"	15.00	20.00	25.00	28.33	31.67	35.00	40.00	42.50	45.00	50.00	55.00	60.00	65.00	70.00	75.00	80.00	83.00
72"	15.00	23.00	29.00	33.00	37.00	41.00	47.00	50.00	53.00	59.00	65.00	71.00	77.00	83.00	89.00	95.00	101.00
84"	16.67	26.00	33.00	37.67	42.33	47.00	54.00	57.50	61.00	68.00	75.00	82.00	89.00	96.00	103.00	110.00	117.00
96"	18.33	29.00	37.00	42.33	47.67	53.00	61.00	65.00	69.00	77.00	85.00	93.00	101.00	109.00	117.00	125.00	133.00

SQUARE FEET:

	10	18	24	28	32	36	42	45	48	54	60	66	72	78	84	90	96
36	5.00	4.50	6.00	7.00	8.00	9.00	10.50	11.25	12.00	13.50	15.00	16.50	18.00	19.50	21.00	22.50	24.00
48	5.00	6.00	8.00	9.33	10.67	12.00	14.00	15.00	16.00	18.00	20.00	22.00	24.00	26.00	28.00	30.00	32.00
60	5.00	7.50	10.00	11.67	13.33	15.00	17.50	18.75	20.00	22.50	25.00	27.50	30.00	32.50	35.00	37.50	40.00
72	5.00	9.00	12.00	14.00	16.00	18.00	21.00	22.50	24.00	27.00	30.00	33.00	36.00	39.00	42.00	45.00	48.00
84	5.83	10.50	14.00	16.33	18.67	21.00	24.50	26.25	28.00	31.50	35.00	38.50	42.00	45.50	49.00	52.50	56.00
96	6.67	12.00	16.00	18.67	21.33	24.00	28.00	30.00	32.00	36.00	40.00	44.00	48.00	52.00	56.00	60.00	64.00

Mariak

300052 Economy Stock Line 2" Basswood Blinds

11.13.14

Product Features:

- Low Profile Steel Headrail (1-1/2" High x 2" Deep)
- High Quality Polypropylene Components
- Heavy Duty Cord Tilt Mechanism for increased durability (wand not available)
- Trapezoid bottom rail for better tilt operation
- California Registered Flame Resistant Certified
- 500 hours of UV exposure equal to 5 years exposure with minimal gradual fading
- Product in Lead-Free
- In compliance with the latest manufacturing safety guidelines included with each blind are Warning Tags, Warning Labels and Cord Cleats.
- Installers of the finished product must adhere to the safety guidelines as established by the installation instructions and by using all devices provided by the manufacturer.
- 3 1/4" Royal Valance included.
- Clip-on inside mount returns included; Valance return size is 1-1/4" from outside measurement or 1/4" from inside measurement. (Upon request, 3 1/2" clip-on valance returns are available for no additional charge.)
- **1-Year Limited Lifetime Warranty** – repair/replacement at no charge should product become defective in material or workmanship during the warranty period excluding defects that result from misuse, improper installation or failure to follow operation and care instructions. Please see full warranty for additional details.
- **Color Options:**



- | | | | |
|-------------------|-----------------|------------------|------------------|
| Antique White 160 | Espresso 315 | Pecan 265 | Swiss Coffee 140 |
| Cherry 275 | Golden Oak 250 | Red Oak 255 | Warm Cherry 280 |
| Cottage 290 | Light Pecan 260 | Snow White 100 | |
| Crisp White 120 | Mahogany 275 | Summer Pecan 270 | |

Surcharges & Guidelines:

- Maximum Cut-Down in Width: 4-1/2" (2-1/4" on each side); smaller size blinds may have additional cut-down limitations.
- Minimum Cut-Down in Width: 1/4"
- Inside Mount Deduction: 1/2" (If requested as Inside Mount, the factory will take a 1/2" deduction to the width)
- When requesting a cut-down of less than 1/2" in width, the blind will be trimmed on **1 side only**.
- When requesting a cut-down of 1/2" or more, the blind will be trimmed on **both sides**. When cutting a blind down on both sides, the factory will make every attempt to cut evenly from of each side (± 1/8").
- Cut down measurements must be ordered in 1/8" increments; cutting a blind down by less than 1/8" is not possible.
- Valance Length: As a factory standard, Valances will be made 2 1/4" wider than the width of the blind.
- **Surcharge for Cut-Down in Width = \$2.00 per blind**
-The \$2.00 surcharge for custom widths will only apply to custom, non-stock size widths.
- **Surcharge for finished length will be applied to ALL BLINDS = \$3.00 per blind**
- A single surcharge of \$3.00 per blind will apply to "stock" size drops/lengths as well as "custom" size drops/lengths.
- **Common Valance available for a \$10.00 Net Surcharge.** Maximum width for a single valance is 9' (108").

Pricing: \$3.00 per Square Foot – Price does not include Freight or Labor Surcharges

Economy 2" Basswood blinds are priced by the square foot. Prices are based on the overall width and overall length dimensions of the stock blind size. **A \$3.00 finishing surcharge will be applied to ALL BLINDS.** If the blind requires a cut-down in width an additional surcharge of \$2.00 per blind will be applied.

Example: If a finished blind size of 45 1/2" x 46" is required, you will order a 48.0" x 48.0". If your price per square foot is \$3.00...

(48.0" X 48.0) / 144	= 16.0 Sq. Ft.
16.0 Sq.Ft. x \$3.00 Sq.Ft.	= \$ 48.00
Width Cut-Down (When Applicable)	+ \$ 2.00
Finished Bottom (All Blinds)	+ \$ 3.00
Total Cost	= \$ 53.00

Net Price Per Square

Foot: \$3.00 (\$ 5.00 included in price chart for finishing to exact size.)

	10"	18"	24"	28"	32"	36"	42"	45"	48"	54"	60"	66"	72"	*78"	84"	90"	96"
36"	20.00	18.50	23.00	26.00	29.00	32.00	36.50	38.75	41.00	45.50	50.00	54.50	59.00	63.50	68.00	72.50	77.00
48"	20.00	23.00	29.00	33.00	37.00	41.00	47.00	50.00	53.00	57.00	65.00	71.00	77.00	83.00	89.00	95.00	101.00
60"	20.00	27.50	35.00	40.00	45.00	50.00	57.50	61.25	65.00	72.50	80.00	87.50	95.00	102.50	110.00	117.50	125.00
72"	20.00	32.00	41.00	47.00	53.00	59.00	68.00	72.50	77.00	86.00	95.00	104.00	113.00	122.00	131.00	140.00	149.00
84"	22.50	36.50	47.00	54.00	61.00	68.00	78.50	83.75	89.00	99.50	110.00	120.50	131.00	141.50	152.00	162.50	173.00
96"	25.00	41.00	53.00	61.00	69.00	77.00	89.00	95.00	101.00	113.00	125.00	137.00	149.00	161.00	173.00	185.00	197.00

SQUARE FEET:

	10	18	24	28	32	36	42	45	48	54	60	66	72	78	84	90	96
36	5.00	4.50	6.00	7.00	8.00	9.00	10.50	11.25	12.00	13.50	15.00	16.50	18.00	19.50	21.00	22.50	24.00
48	5.00	6.00	8.00	9.33	10.67	12.00	14.00	15.00	16.00	18.00	20.00	22.00	24.00	26.00	28.00	30.00	32.00
60	5.00	7.50	10.00	11.67	13.33	15.00	17.50	18.75	20.00	22.50	25.00	27.50	30.00	32.50	35.00	37.50	40.00
72	5.00	9.00	12.00	14.00	16.00	18.00	21.00	22.50	24.00	27.00	30.00	33.00	36.00	39.00	42.00	45.00	48.00
84	5.83	10.50	14.00	16.33	18.67	21.00	24.50	26.25	28.00	31.50	35.00	38.50	42.00	45.50	49.00	52.50	56.00
96	6.67	12.00	16.00	18.67	21.33	24.00	28.00	30.00	32.00	36.00	40.00	44.00	48.00	52.00	56.00	60.00	64.00

ECONO STOCK BLIND 2" FAUXWOOD & BASSWOOD READY-MADE WARRANTY

Mariak Industries, Inc. ("Mariak") warrants to the original purchasers of its products, upon the terms of this Limited Warranty, that if installed, used and maintained according to Mariak's written instructions, the products will be free from manufacturing defects for the reasonable lifetime of the project for which to product was originally purchased, effective from the date of purchase by the original purchaser, not to exceed one (1) year. No salesperson, dealer, retailer nor any representative of Mariak has the authority to modify this Limited Warranty in any way, either verbally or in writing. No other warranties are made except as set forth herein, and said Warranty is limited by the following terms and conditions:

This Warranty shall remain in effect only if Mariak's product has been installed by an authorized dealer, and maintained, cleaned, treated and used correctly. This Limited Warranty shall not apply if the product has been damaged due to alteration, accident, misuse, misapplication, improper installation, abuse, normal wear and tear, exposure to the elements, improper maintenance or handling, fire, flood, or other acts of God. The obligation of Mariak and its dealers is limited to the repair and replacement of the window coverings and/or components found to be defective and excludes shipping charges and labor cost for measuring and installation.

LIMITED WARRANTY LIMITATIONS

1. **Product Use:** This Limited Warranty applies only in respect to products that are used strictly for the purpose in which they were designed, manufactured, sold and intended.
2. **Replacement Parts or Repairs:** Mariak reserves the right to discontinue or change any of its products as currently manufactured, at any time. If Mariak determines to make a replacement under the terms of this Limited Warranty and exact replacements are not available, Mariak reserves the right to substitute a part or parts of equal quality at its sole option.
3. **Warranty Limitations:**
 - (a) THERE ARE NO WARRANTIES WHICH EXTEND BEYOND THE FACE HEREOF, EXPRESS OR IMPLIED, WRITTEN OR ORAL, INCLUDING WITHOUT LIMITATION IMPLIED WARRANTIES OF MERCHANTABILITY OR FITNESS FOR A PARTICULAR PURPOSE, WHETHER OR NOT ARISING FROM ANY TRADE USAGE OR COURSE OF DEALING, WITH RESPECT TO THE PRODUCTS OF MANUFACTURER.
 - (b) IN NO EVENT SHALL MANUFACTURER BE LIABLE FOR LOSS OF PROFITS, INDIRECT, SPECIAL OR CONSEQUENTIAL DAMAGES ARISING OUT OF ANY PRODUCT COVERED BY THIS LIMITED WARRANTY, OR INCIDENTAL DAMAGES, INCLUDING WITHOUT LIMITATION LOSS OF USE, LOSS OF TIME OR INCONVENIENCE, OR EXPENSES SUCH AS TELEPHONE, TOWING, CRANE, LIFT CHARGES AND HAUL OUT CHARGES.
 - (c) IN NO EVENT SHALL MANUFACTURER'S LIABILITY HEREUNDER EXCEED THE COST OF THE PRODUCT.
 - (d) SOME STATES DO NOT ALLOW THE EXCLUSION OF LIMITATION OF INCIDENTAL DAMAGES, SO THE ABOVE LIMITATIONS OR EXCLUSIONS MAY NOT APPLY TO YOU. ALSO, SOME STATES DO NOT ALLOW LIMITATIONS ON HOW LONG AN IMPLIED WARRANTY LASTS, SO THE ABOVE LIMITATIONS MAY NOT APPLY TO YOU.

EXCLUSIONS FROM LIMITED WARRANTY COVERAGE

The following are excluded from coverage under this Limited Warranty:

1. Exposure to air pollutants and normal atmosphere conditions may cause vinyl surfaces to gradually suffer an accumulation of surface dirt and stains. These are normal occurrences and are not covered under Mariak's Limited Warranty.
2. Any defect, malfunction or failure to perform, which has occurred because of unreasonable use, improper application or failure to perform reasonable or necessary maintenance.
3. Any damage to the products or components of the products caused by settlement or structural defects of the building in which they are installed.
4. Any damage caused by wind, hail, lightning, rain, or other Acts of God, intentional acts, accidents, negligence, exposure to harmful chemicals or pollutants.
5. Any damage or defect caused by any person, licensed or not, who, after the product's manufacture, handled, transported or installed the Mariak product, regardless of that person's relationship to Mariak.
6. Any product which has been repaired or modified or attempted to have been repaired or modified by any person other than a duly authorized representative of Mariak.

In the event that any part or provision of this Limited Warranty shall conflict with any present or future law, statute, ordinance, regulation or ruling, the latter shall prevail; provided, however, that the part or provision of this Limited Warranty which is affected shall be curtailed and limited only to the extent necessary to bring it within the requirements of law, and all other parts and provisions of this limited warranty shall remain in full force and effect.

In compliance with the latest manufacturing safety guidelines Mariak includes with each fully-assembled product warning tags, warning labels, safety devices and cord cleats. Installers of the finished product must adhere to the safety guidelines as established by the installation instructions and by using all devices provided by the manufacturer. It is the responsibility of the installer, as well as the end consumer, to see that all safety devices are properly installed according to the manufacturers installation instructions included with each device and remain so throughout the life of the product.

For service under this Limited Warranty, please contact Mariak Industries, Inc., 575 W. Manville Street, Rancho Dominguez, California 90220, telephone (310) 661-4400. Please have available the proof of purchase and the purchase date and location, in addition to a detailed description of the problem. Mariak shall not be liable for shipping costs for product inspection, service or repair, and is not liable for damages or loss occurring during shipping.

Mariak

Stationary Arches

(for Inside or Outside Mount)

Fauxwood & Basswood Arch Tops:

Our beautiful Fauxwood & Basswood Arch Top is the ideal treatment for any arch window. The slats are set at a 45 degree angle and are stationary. Mariak offers two types of arches, the "2" Horizontal Stationary Perfect Arch" and the "2" Horizontal Stationary Custom Arch." There will be no deduction made on outside mounts, and 1/4" deduction made on inside mounts. When facing an arch from inside a room, the slats will be facing in an "up" position for ultimate sun control and privacy. This will be standard manufacturing unless otherwise specified. Quarter arches are available and will be priced the same as a half arch. Other shapes are available — please call for details. Assembly may be required at installation time.

Perfect Arches vs. Custom Arches:

A "Perfect Arch" is one where the radius of the arch is constant at all points. In other words, the "Perfect Arch" is when the height is exactly half of the width. A template is not required when ordering a "Perfect Arch." A "Custom Arch," which is made to your exact specifications, does require a template.



How To Order Custom Arches:

Using a translucent paper, draw the outline of the arch. Cut out the pattern you have drawn and insert it back into the window opening to verify it is correct. For inside mounts, we will deduct 1/4" for installation clearance. Please write your company name, account number, sidemark, room name, and material/color required, and mail to Mariak. Please mark on the template "top" and "bottom" and "right" and "left" for verification.



Installation:

The arches are held in place by:

- Resting them on a sill and attaching them with screws
- Resting them on top of an existing blind and attaching to the blind's installation brackets
- Attaching them with an "L" bracket onto the existing window frame.

General Specifications:

Minimum arch width is 20". Maximum arch width is 84". "Perfect Arches" and "Custom Arches" are non-returnable.

Freight:

All arches will be shipped unassembled in cardboard boxes. A minimum amount of assembly is required at installation time. For fully assembled arches that need to be delivered via common carrier, there will be a \$1.00 per square foot charge to cover crating expenses.

Pricing:

Width	24"	36"	48"	60"	72"	84"
2" Horizontal Stationary "Perfect Arch"	124.00	145.00	188.00	252.00	338.00	461.00
2" Horizontal Custom Arch (template required)	166.00	188.00	231.00	295.00	381.00	503.00

Please allow 3 week lead-time for production.

Mariak

575 West Manville Street, Rancho Dominguez, CA 90220
 Customer Service Fax: (800) 459-6999 / International Fax: (310) 763-1749
 PH: (800) 562-7425 / (310) 661-4400

Purchase Order

CUSTOM-MADE 1", 2" & 2 ½" Horizontal Blinds

(Use Economy Line Stock Horizontal Blind order form for Ready-Made Cut-Downs)

Account #: _____ Company Name: _____ Contact: _____ Purchase Order #: _____
 Ship To Address: _____ Phone: _____ Sidemark: _____
 City: _____ State: _____ Zip: _____ Fax: _____ Date Required: _____
 EMAIL: _____ Ship Via (circle one): FedEX Common Carrier Mariak Truck Will Call

Line	Sidemark	Qty	Mount ¹	Width	Length	Slat Type ²	Color ³	Ladder Type ⁴	Tilt Type ⁵	Tilt ⁶	Lift ⁷	Valance ⁸	Hold Downs	Spacer Block
1														
2														
3														
4														
5														
6														
7														
8														
9														
10														

Purchase Order Footnotes:

1. Mount:	(IM) - Inside Mount (OM) - Outside Mount	5. Tilt Type:	(C) - Cord Tilt (W) - Wand Tilt (M-IR) - Motorized Tilt with Infra-Red Control (M-RTS) - Motorized Tilt with RTS Control
2. Slat Type:	(1"FX)-1" Fauxwood Smooth (1"BS)-1" Basswood (2"FXSM) - 2" Fauxwood Smooth (2"FXSTX) - 2" Fauxwood Textured (2"FXSB) - 2" Fauxwood Sandblast (2 ½"FXSM) - 2 ½" Fauxwood Smooth (2 ½"FXTX) - 2 ½" Fauxwood Textured (2 ½"FXSB) - 2 ½" Fauxwood Sandblast (2"AL) - 2" Aluminum	6. Tilt Control:	(L) - Left Side Tilt (Standard) (R) - Right Side Tilt (C) - Center Tilt (Required for blinds less than 11" in width)
3. Color:	Specify the color # and name. (Note surcharge applied to RealGrain finishes)	7. Lift Cord Control:	(R) - Right Side Lift Cord (Standard) (L) - Left Side Lift Cord
4. Ladder Type:	(STD) - Standard Cord Ladder (RTL) - Routless Cord Ladder (CLOTH) - Privacy 1 ½" Cloth Tape (2VNYL) - Vinyl Privacy Tape for 2" Aluminum in Eggshell or White Satin	8. Valance Type:	(RYLFX) - 3 ¾" Royal Valance (Available in all Fauxwood colors) (RYLBS) - 3 ¾" Royal Valance (Available in all Basswood colors) (BARFX) - 5 ½" Barrington Valance (Available in all Fauxwood colors) (BARBS) - 5 ½" Barrington Valance (Available in Basswood Whites only) (SNG) - Single Slat Valance (Available with PVC or Aluminum)



575 West Manville Street, Rancho Dominguez, CA 90220
 Customer Service Fax: (800) 459-6999 / International Fax: (310) 763-1749
 PH: (800) 562-7425 / (310) 661-4400

Purchase Order
2" Economy Stock Fauxwood & Basswood Horizontal Blinds

Account #: _____ Company Name: _____ Contact: _____ Purchase Order #: _____
 Ship To Address: _____ Phone: _____ Sidemark: _____
 City: _____ State: _____ Zip: _____ Fax: _____ Date Required: _____
 EMAIL: _____ Ship Via (circle one): FedEX Common Carrier Mariak Truck Will Call

Line	Sidemark	Qty	Stock Size ¹	Mount	Window Width ²	Net Length ³	Color ⁴	Valance Returns ⁵	Common Valance Y/N
1									
2									
3									
4									
5									
6									
7									
8									
9									
10									

1. Stock Size: Specify the stock size width 10", 18", 24", 28", 32", 36", 42", 45", 48", 54", 60", 66", 72", 78", 84", 90", 96"

2. Window Width: Specify the window opening width. A 1/2" deduction will be taken for inside mount. If the net width is less than the stock blind width, a \$2.00 surcharge will apply.

3. Net Length: Specify the net finished length required. No additional deductions will be taken. If the net length is less than the stock blind length, a \$3.00 surcharge will apply.

4. Fauxwood Color: 110 Snow White, 120 Pearl White, 200 Alabaster Smooth, 175 Cherry Embossed, 155 Natural Embossed, 9256 Chestnut Realgrain (15% surcharge), 9254 Oak Realgrain (15% Surcharge) 1113 Snow White Embossed & 1203 Pearl White Embossed Available 2015!

4. Basswood Color: 160 Antique White, 275 Cherry, 290 Cottage, 120 Crisp White, 315 Espresso, 250 Golden Oak, 260 Light Pecan, 275 Mahogany, 265 Pecan, 255 Red Oak, 100 Snow White, 270 Summer Pecan, 140 Swiss Coffee, 280 Warm Cherry

5. Valance Returns: (1-1/4") - 1-1/4" Returns - Typically used for inside mount installations.
 (3-1/2") - 3-1/2" Returns - Typically used for outside mount installations.
 (NO) - No Valance Returns Required

Common Valance Common Valance \$ 10.00 Net Surcharge Applies

2" Economy Stock Fauxwood Blind Specifications: - Cord Tilter - Standard Controls - 3 1/4" Royal Valance with clip-on returns	Cut Down Guidelines: - Maximum cut down in width is 4" - Minimum cut down is width is 1/2" - When requesting a cut down of less than 1/2" in width, the blind will be trimmed on 1 side only. - When requesting a cut down of 1/2" or more, the blind will be trimmed on both sides. When cutting a blind down on both sides, the factory will make every attempt to cut evenly from each side ± 1/4".
---	---

Surcharges:
 - Cut Down in Width = \$2.00 per blind
 - A \$3.00 finishing surcharge will be applied to ALL BLINDS.