

Mariak

Many Window Solutions From One Source

Vertical Blind Section

Effective March 20, 2014



Save a life: "Install Safety Tensioning Devices!"

Vertical Blind Measuring & Ordering Instructions

Selecting the Type of Mounting:

Determine whether the blind is going to be installed inside the window frame or outside the window frame.



Inside Mount (IB):

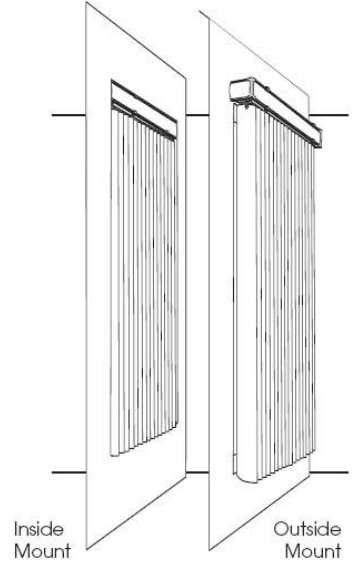
Inside mount installations are often preferred because the blinds take up less space in the room.

Measuring the Width and the Length for Inside Mount:

For the width, measure across the top, middle, and bottom of the window opening. Using the narrowest dimension, measure to the nearest 1/8". By using the narrowest measurement the blind will operate correctly.

For the length, measure the up and down dimension on the left, center, and right side. Use the shortest length measurement, measuring to the nearest 1/8".

The factory will make any appropriate deductions. Do not make any width or length deductions.



Outside Mount (OB):

Outside mount installations are mounted on the wall or on the window molding. It is best to overlap the window opening by at least 3" on each side when measuring for vertical blinds.

Measuring the Width and the Length for Outside Mount:

Measure the area that the blind is to cover. For vertical blinds it is recommended to overlap the window opening by at least 3" on each side for a total of 6". To allow for enough space for the mounting brackets, it is also suggested that a vertical blind be installed at least 3" above the window opening.

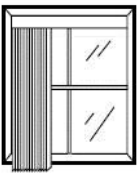
Note: When outside mount blinds are specified, no factory deductions are taken.

Confirming Measurements:

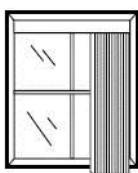
The most common error in ordering blinds is reversing the width and the length measurements. Always confirm that the width is the measurement that goes across from left to right and that the length is the measurement that goes from top to bottom.

Louver Stacking Options:

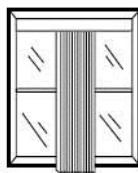
Left Stack



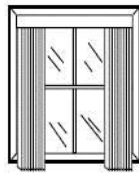
Right Stack



Center Stack



Split Stack



Vane Replacements:

Vane replacements are available and each replacement price is listed at the end of the tables. Always measure the size of the vertical and request "VANES ONLY."

Minimum Width: 5"

Minimum Height: 8.5"

Maximum width: 192"

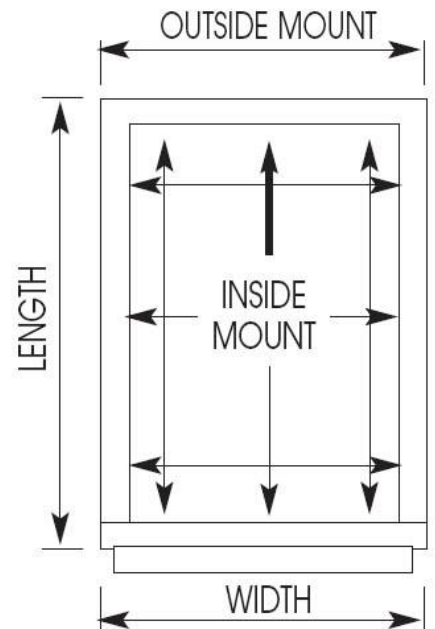
Maximum height: 144"

Fabric Hems:

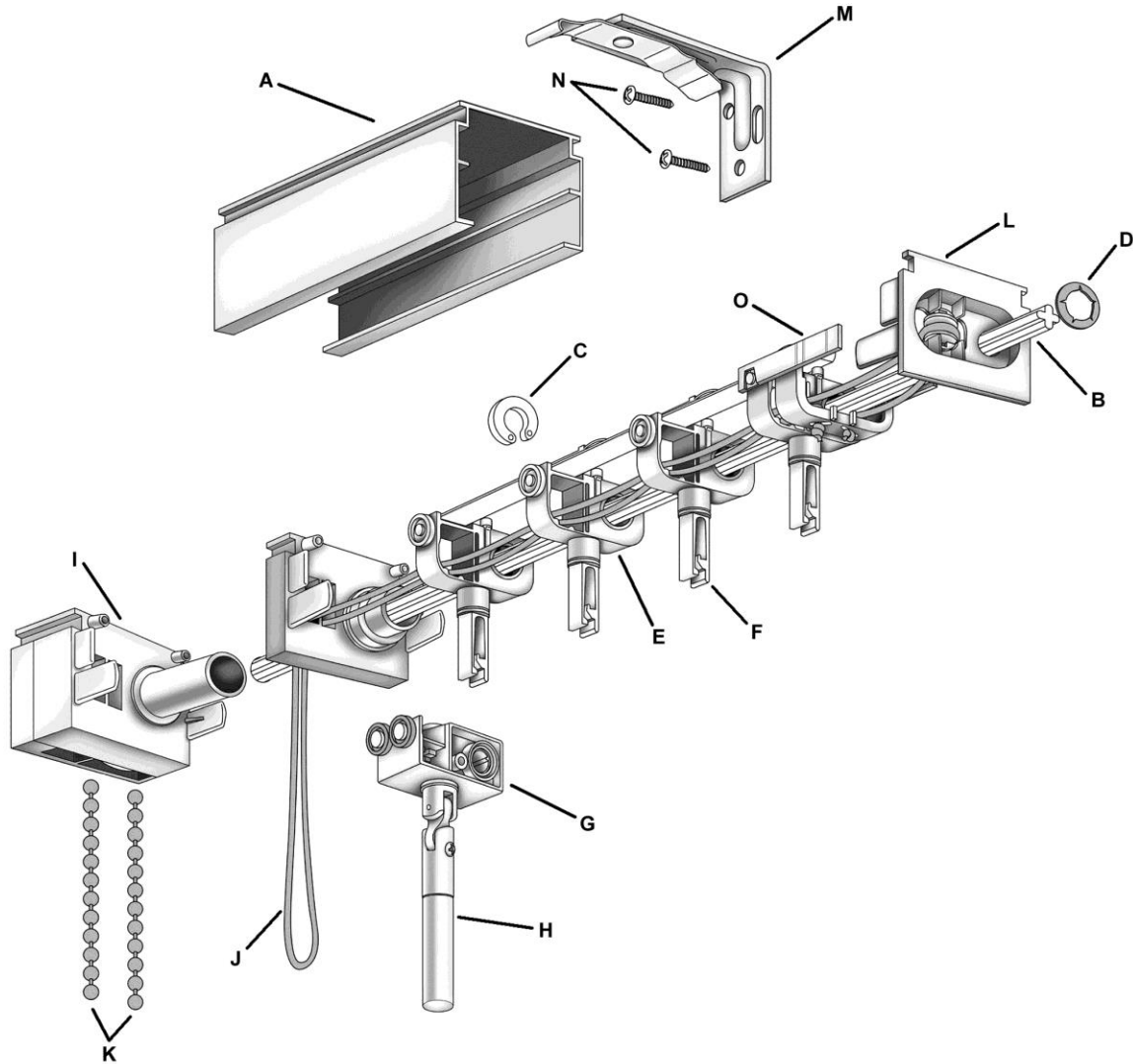
All fabric hems are custom sewn.

Corner Blinds:

When ordering corner blinds, dealer must make all deductions. Factory will not be responsible for such deductions.



Mariak's Flagship M-2500 / M-2700 Vertical Headrail System



- A) Headrail – Medium Wall Aluminum 1-1/4" H x 1-3/4" D
- B) Pinion Rod (Tilt Rod) – 4 Prong
- C) Stop C Clip
- D) Push Nut
- E) Discovery Carrier
- F) Carrier Stem
- G) Wand Control
- H) Wand
- I) End Control
- J) Nylon Cord
- K) Chain #10 N.P.S. (Nickel Plated Steel)
- L) Idle End
- M) Installation Bracket with Ceiling Clamp
- N) Installation Screws
- O) Cord Drive Runner (Master Runner)

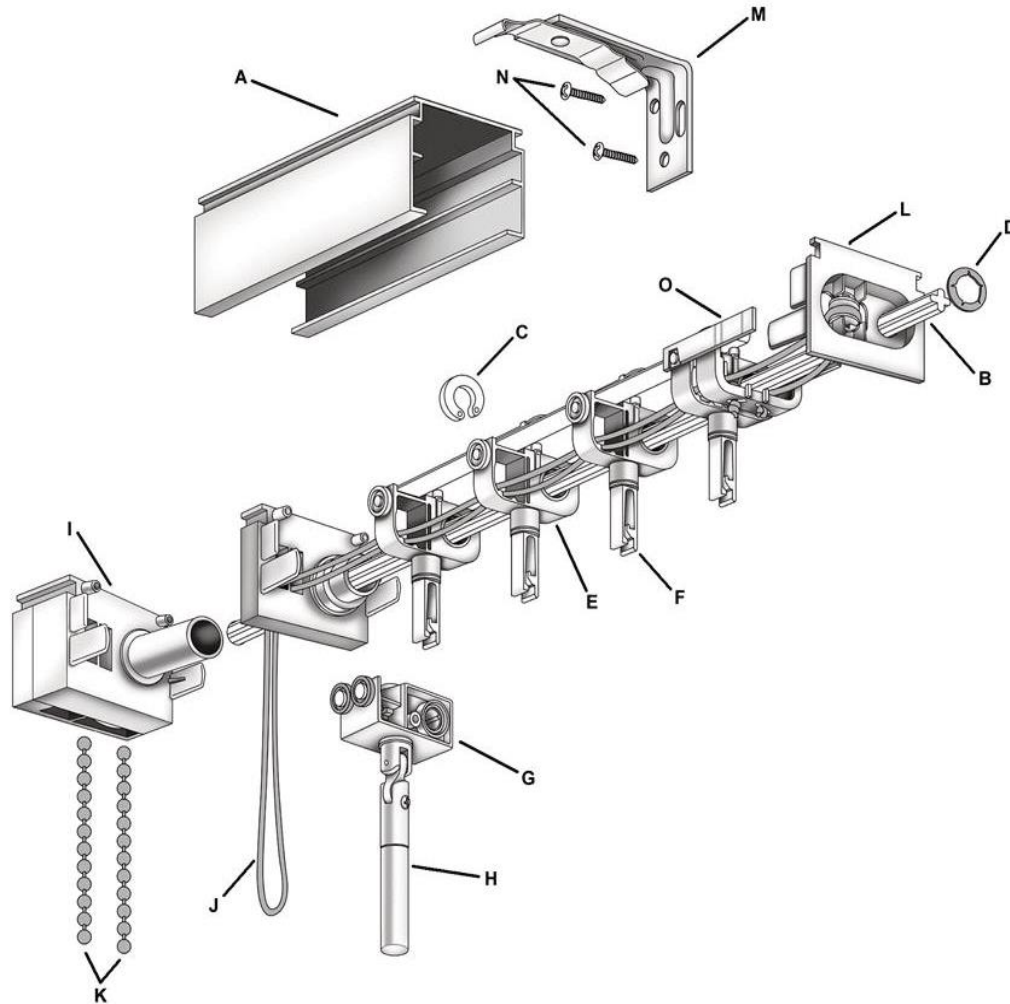
Headrail Options:

- M-2500 Headrail = Cord & Chain Control
- M-2700 Headrail = Wand Control (Safety Track)

System Features:

- 4-Prong Pinion Strap System
- Self-Aligning Wheeled Carrier
- Self-Lubricated Acetal Parts
- Reinforced Strap between Carriers
- Precision-Molded Double Worm Pinion Gear

M-3000 / M-3200 Vertical Headrail System



- A) Headrail – Heavy Duty Wall Aluminum 1-1/4" H x 1-3/4" D
- B) Pinion Rod (Tilt Rod) – 4 Prong
- C) Stop C Clip
- D) Push Nut
- E) Discovery Carrier
- F) Carrier System
- G) Wand Control
- H) Wand
- I) End Control
- J) Nylon Cord
- K) Chain #10 N.P.S. (Nickel Plated Steel)
- L) Idle End
- M) Installation Bracket with Ceiling Clamp
- N) Installation Screws
- O) Cord Drive Runner (Master Runner)

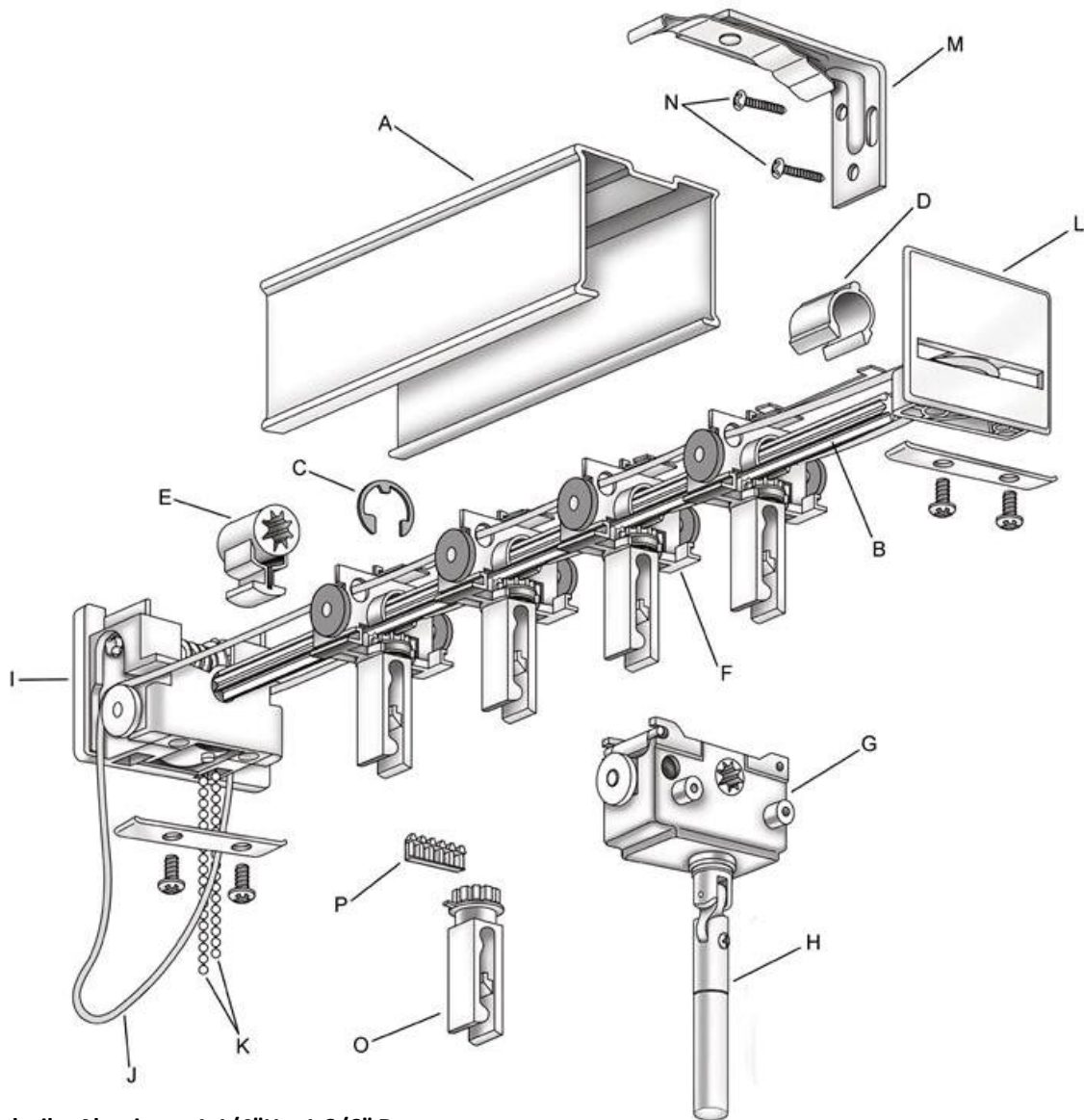
Headrail Options:

- M-3000 Headrail = Cord & Chain Control
- M-3200 Headrail = Wand Control (Safety Track)

System Features:

- 4-Prong Pinion Strap System
- Self-Aligning Wheeled Carrier
- Self-Lubricated Acetal Parts
- Reinforced Strap between Carriers
- Precision-Molded Double Worm Pinion Gear

M-1500 / M-1700 Vertical Headrail System



- A) Headrail – Aluminum 1-1/4" H x 1-3/6" D
- B) Pinion Rod (Tilt Rod) – 8 Prong
- C) Stop C Clip
- D) Spacer Clip
- E) Traverse Lock Spacer
- F) Carrier
- G) Wand Control
- H) Wand
- I) End Control
- J) Nylon Cord
- K) Chain #6 N.P.S. (Nickel Plated Steel)
- L) Idle End
- M) Installation Bracket with Ceiling Clamp
- N) Installation Screws
- O) Replaceable Carrier Stem
- P) Replaceable Carrier Gear

Headrail Options:

- M-1500 Headrail = Cord & Chain Control
- M-1700 Headrail = Wand Control (Safety Track)

System Features:

- 8-Prong Pinion Strap System
- Self-Aligning Wheeled Carrier with Replaceable Stem and Gear
- Self-Lubricated Acetal Parts
- Reinforced Strap between Carriers
- Precision-Molded Double Worm Pinion Gear

Mariak

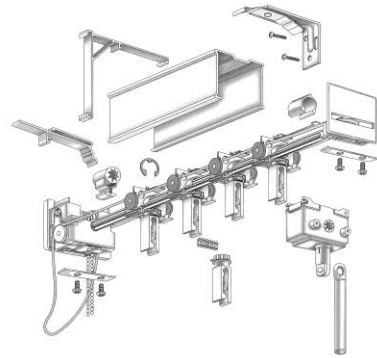
Many Window Solutions From One Source

Mariak Basic Vertical Blind Headrails

- 8-Prong Pinion Strap System
- Self-Aligning Carrier with Replaceable Stem
- Wheeled Carrier for Smooth Traversing
- Self-Lubricating Acetal parts
- Reinforced Strap Between Carriers
- Headrail Color White & Ivory

Headrail Types:

- *M-1500* – Aluminum Headrail w/Cord & Chain
- *M-1700* – Aluminum Headrail w/Wand Control

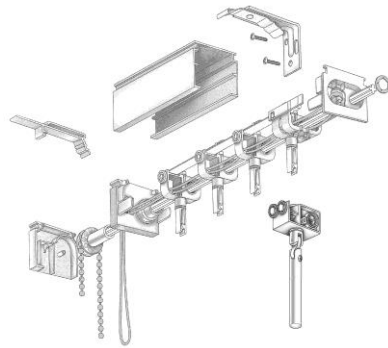


Mariak Commercial & Residential Vertical Blind Headrails

- 4-Prong Pinion Strap System
- Self-Aligning Carrier with Round Stem
- Wheeled Carrier for Smooth Traversing
- Self-Lubricating Acetal parts
- Reinforced Strap Between Carriers
- Fluted Headrail, Ivory, White, Anodized & Bronze

Headrail Types:

- ****M-2500* – Medium Wall Aluminum w/Cord & Chain***
- ****M-2700* – Medium Wall Aluminum w/Wand Control***
- *M-3000* – Heavy Duty Aluminum w/Cord & Chain
- *M-3200* – Heavy Duty Aluminum w/Wand Control

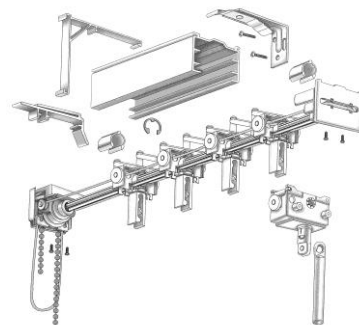


Mariak Scissor System Vertical Blind V-Top Headrails

- 8-Prong & 3-Prong Pinion Scissor System
- Self-Aligning Carrier with Replaceable Stem
- Wheeled Carrier for Smooth Traversing
- Spaces Equally Automatically
- Auto-Rotate Option Available – No Additional Charge on finished blinds. Additional charge applied to Headrail only.

Headrail Types:

- *M-4500* – Medium Wall Aluminum w/Cord & Chain
- *M-4700* – Medium Wall Aluminum w/Wand Control
- *M-5500* – Medium Wall Aluminum w/Auto-Rotate

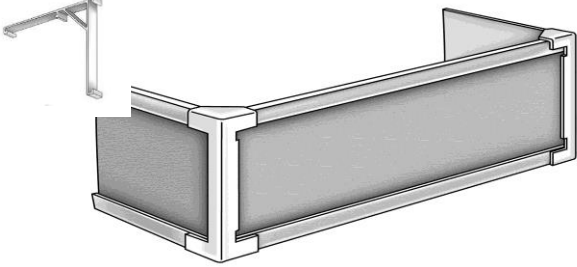
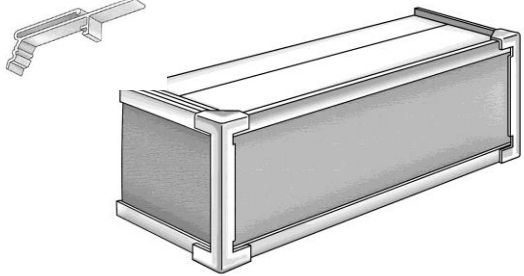
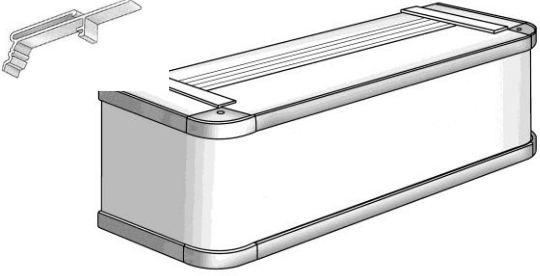
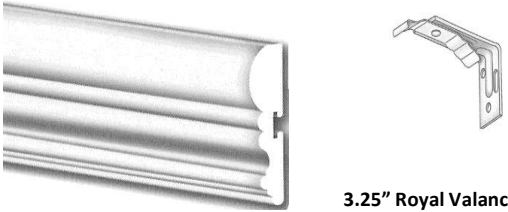


Notes:

Standard wand length is 36" unless otherwise specified at 48", 60" or 72" for an additional surcharge. Decorative PVC & Fauxwood Blinds are equal spaced. Equal spacing must be requested for Builders Quality and Basic PVC Verticals.

In compliance with the latest manufacturing safety guidelines Mariak Window Fashions includes with each fully-assembled product warning tags, warning labels, safety devices and cord cleats. Installers of the finished product must adhere to the safety guidelines as established by the installation instructions and by using all devices provided by the manufacturer. It is the responsibility of the installer, as well as the end consumer, to see that all safety devices are properly installed according to the manufacturers installation instructions included with each device and remain so throughout the life of the product. Mariak Window Fashions is not liable for injuries or fatal occurrences related to improper installation or maintenance of required safety devices.

Vertical Blind Valance Options

Economy Channel Panel Valance	Square Corner Dust Cover Valance
<p><i>Not Available with M-1000 & M-1200 Headrails</i></p>  <ul style="list-style-type: none"> • 3-1/2" High Face • Single Piece Square Corner • Visible Valance Clip • Inside Mount Returns 1-1/2" Long • Outside Mount Returns 3-1/2" Long • Not available Fauxwood Verticals • Minimum Width 5" • Maximum Width Single Piece Valance 16' 	 <ul style="list-style-type: none"> • 3-1/2" High Face • Single Piece Square Corner • Hidden Valance Clip • Inside Mount Returns 1-1/2" Long • Outside Mount Returns 3-1/2" Long • Minimum Width 5" • Maximum Width Single Piece Valance 16'
Round Corner Valance	Royal Valance
 <ul style="list-style-type: none"> • 3-1/2" High Face • 3-Piece Round Corner • Hidden Valance Clip • Inside Mount Returns 1-1/2" Long • Outside Mount Returns 3-1/2" Long • Not available with Fauxwood Verticals • Minimum Width 5" • Maximum Width Single Piece Valance 16' 	<p><i>These Valances Match The Available Horizontal Blind Valances (Outside Mount Only on Verticals)</i></p>  <p>3.25" Royal Valance</p> <ul style="list-style-type: none"> • Hidden Metal L-Bracket • Outside Mount Returns 3-1/2" Long • Recommended for 3-1/2" Fauxwood Verticals (surcharge applies) • Not available for Fabric Verticals • Minimum Width 8" • Maximum Width Single Piece Valance 9'

Valances Options:

- **Economy Valance = No Charge Option** for Designer PVC Patterns (Tables 1 through 8)
 - **Chargeable** Option for Builder's Quality, Regular Curved, & Regular Flat PVC's (Tables A & B)
- **Square Corner Valance = No Charge Option** for Designer PVC Patterns (Tables 1 through 8)
 - **Chargeable** Option for Builder's Quality, Regular Curved, & Regular Flat PVC's (Tables A & B)
- **Round Corner Valance = No Charge Option** for Designer PVC Patterns (Tables 1 through 8)
 - **Chargeable** Option for Builder's Quality, Regular Curved, & Regular Flat PVC's (Tables A & B)
 - Not available for 3-1/2" Fauxwood Textured & Fauxwood RealGrain Vertical Blinds
- **Royal Valances = See Price Tables for Additional Charges**
 - Not available for Free Hanging or Inserted Fabric Verticals

3 1/2" One Way Draw Stacking Chart

M-2500/M-2700/M-3000/M-3200 Track Systems

# of Vanes	Blind Width	Total Stacking Space	# of Vanes	Blind Width	Total Stacking Space
5	16 1/4"	4 1/8"	34	106 7/8"	16 9/16"
6	19 3/8"	4 9/16"	35	110"	17"
7	22 1/2"	5"	36	113 1/8"	17 7/16"
8	25 5/8"	5 7/16"	37	116 1/4"	17 7/8"
9	28 3/4"	5 7/8"	38	119 3/8"	18 5/16"
10	31 7/8"	6 5/16"	39	122 1/2"	18 3/4"
11	35"	6 3/4"	40	125 5/8"	19 3/16"
12	38 1/8"	7 3/16"	41	128 3/4"	19 5/8"
13	41 1/4"	7 5/8"	42	131 7/8"	20 1/16"
14	44 3/8"	8 1/16"	43	135"	20 1/2"
15	47 1/2"	8 1/2"	44	138 1/8"	20 15/16"
16	50 5/8"	8 15/16"	45	141 1/4"	21 1/4"
17	53 3/4"	9 1/4"	46	144 3/8"	21 11/16"
18	56 7/8"	9 11/16"	47	147 1/2"	22 1/8"
19	60"	10 1/8"	48	150 5/8"	22 9/16"
20	63 1/8"	10 9/16"	49	153 3/4"	23"
21	66 1/4"	11"	50	156 7/8"	23 7/16"
22	69 3/8"	11 7/16"	51	160"	23 7/8"
23	72 1/2"	11 7/8"	52	163 1/8"	24 5/16"
24	75 5/8"	12 5/16"	53	166 1/4"	24 3/4"
25	78 3/4"	12 3/4"	54	169 3/8"	25 3/16"
26	81 7/8"	13 3/16"	55	172 1/2"	25 5/8"
27	85"	13 5/8"	56	175 5/8"	26 1/16"
28	88 1/8"	14 1/16"	57	178 3/4"	26 1/2"
29	91 1/4"	14 1/2"	58	181 7/8"	26 15/16"
30	94 3/8"	14 15/16"	59	185"	27 1/4"
31	97 1/2"	15 1/4"	60	188 1/8"	27 11/16"
32	100 5/8"	15 11/16"	61	191 1/4"	28 1/8"
33	103 3/4"	16 1/8"			

Please Note: This chart is intended for reference purposes only and is estimated by taking the Vertical Width divided by 3.125 and rounding up to the next lower.

Vertical Blind Price Table Index

PVC Pattern	Price Table	PVC Pattern	Price Table
Arcadia	3	Orleans	4
Belmont	5	Orleans "S" Curved	4
Builders Quality	A	Palisades	3
Cambria	4	Perforated Flat P21	2
Charleston	1	Pinnacle	1
Cisco	3	Plymouth	5
Concord	2	Regular Curved or Flat	B
Contessa	3	Regular "S" Curved Smooth	B
Corly	1	Ribcord	B
Fauxwood Textured	3	Richmond	1
Fauxwood Realgrain	4	Ridgecrest	3
Fremont	3	Savannah	2
Hilo	4	Sonoma	5
Hilo "S" Curved	4	Sonoma "S" Curved	5
Largo	2	Stanford	2
Manhattan	1	Swirl	6
Montecito	4	Tahoe	3
Myrtle	1	Timberwood	3
Oakdale	2	Valencia	3
Ojai	4	Winchester	7
		Woodbridge	2

Fabric Vertical Pattern	Price Table	Fabric Vertical Pattern	Price Table
Contrast	3 Free Hanging (+34% Inserted)	Lyon	6 Free Hanging (+34% Inserted)
Dijon	4 Free Hanging (+34% Inserted)	Berlin	7 Free Hanging (+34% Inserted)
London	4 Free Hanging (+34% Inserted)	Paris	7 Free Hanging (+34% Inserted)
Toulon	4 Free Hanging (+34% Inserted)		

Other Vertical Blind Material: 2" & 3.5"	Vertical Blind Table
PVC Curved 2" Smooth (Ivory, Light Grey, Off White, Snow White)	By Quote Only
Aluminum 2" (Eggshell Gloss, White Gloss, Gulf Blue, Fawn, Peach, Char Brown, Aluminum Textured, Alabaster, Brushed Aluminum, Spun Silk, White Satin, Black Satin, Snow Cap, Pinion, Pearl)	By Quote Only

The follow surcharges will apply for purchases of individual slat, broken-boxes, pieces or cut-down products that are not purchased as a fully assembled blind or shade:

- \$5.00 NET - PVC Vertical Vanes Broken-Box Charge
 - \$6.00 NET - Horizontal Slat Material Broken-Box Charge
 - \$10.00 NET - Components, Valance or Fascia Broken-Box Charge All Products
 - \$20.00 NET - Cut-Charge for All Products (i.e. fabric, slat, valance, fascia, etc.)
- All prices are in U.S. Dollars and do not include freight, duties or taxes for shipments to Alaska or Hawaii. 2nd day and next day shipments to Alaska & Hawaii will incur additional charges. Other surcharges may apply (i.e. residential delivery, lift-gate, ferry fees, inside delivery, call before delivery, call notification, etc.) Please provide email address when ordering for contact by the freight carrier.
 - Manufacturing specifications, options, surcharges and pricing are subject to change without notice.

Mariak

Many Window Solutions From One Source

Vertical Blind In-Stock Pattern & Color Listing

3.5" Contract PVC Patterns & Colors:

Builders Quality	Perforated Flat	Regular Curved	Regular Smooth "S" Curved	Ribcord
228 Grey	228 Grey	228 Grey	040 Ivory	228 Grey
040 Ivory	040 Ivory	040 Ivory*	134 Off White	040 Ivory
134 Off White	134 Off White	134 Off White*	307 Tan	134 Off White
100 White	100 White	324 Sand	100 White	100 White
307 Tan		307 Tan		
		100 White*		

* Also available in Flat.

3.5" Designer PVC Pattern & Colors:

Arcadia	Belmont	Cambria	Charleston	Cisco	Concord	Contessa
Birch	Beige	Beige	Beige	Antique White	Beige	Beach
Khaki	Cream	Caramel	Buttermilk	Buff	Brite White	Coffee
Sesame	Wheat	Khaki	Sand	Dark Chocolate	Goldtone	Cream
	White	Sand Dollar	White	Leather	Gray	Maple
				Beach	Off White	
					White	

Corly	Fauxwood Realgrain	Fauxwood Textured	Fremont	Hilo	Largo	Manhattan
Beige	Bamboo	Bright White	Beige	Brandy*	Alabaster	Beige
Brite White	Cinnamon	Cherry	Black	Brownstone*	Chalk	Buttermilk
Off White	Chestnut	Maple	Capri	Cameo*		Sand
Sand	Dark Walnut	Natural	Off White	Cream*		White
	Mahogany	Oyster White	White	Crystal*		
	Maple	Pearl White		Raven*		
	Natural	Snow White		Sand*		
	Oak			Sapphire*		
	Pecan					

* Also available in S-Curved.

Montecito	Myrtle	Oakdale	Ojai	Orleans	Palisades	Pinnacle
Chenille	Beige	Beige	Camel	Cloud White*	Crystal White	Bright White
Fawn	Buttermilk	Buckskin	Frost	Desert Beige*	Kashmir	Off White
Gray	Sand	Glademist	Pearl	Ivory*	Merlot	Sand
	White	Gray		Silver Mine Gray*	Off White	
		Polar White		Sunset Copper*		
				White Ice*		

* Also available in S-Curved.

Plymouth	Richmond	Ridgecrest	Savannah**	Sonoma	Stanford	Swirl
Amber	Beige	Chalk White	Blue Haze	Crystal*	Beige	Buff
Oatmeal	Buttermilk	Goldtone	Chalk White	Pearl*	Blue Haze	Desert
Off White	Sand	Off White	Hazelnut	Sandstone*	Brite White	Earth
White	White	Sandstone Beige	Jade		Ermine	Java
			Off White		Glademist	Patina
			Sandstone Beige		Gray	

* Also available in S-Curved.

** Formerly Imperial

Mariak

Many Window Solutions From One Source

Vertical Blind In-Stock Pattern & Color Listing

3.5" Designer PVC Pattern & Colors:

Tahoe	Timberwood	Valencia	Winchester	Woodbridge
Blonde	Ash	Beige	Gold	Beige
Grain	Buff	Off White	Rust	Brite White
Linen	Chestnut	White	Silver	Buckskin
Molasses	Mahogany			Glademist
Nutmeg	Pecan			Sandstone
Sunset	Teak			
	Walnut			

3.5" Vertical Blind Fabric Pattern & Colors:

Berlin	Contrast	Dijon	London	London (Cont.)	Lyon	Paris
White	Beige	Ivory	White	Teal	Vanilla	Custard
Custard	Blue	Custard	Vanilla	Sand Bar	Ivory	Ivory
Ivory	Claret	Tan	Ivory	Charcoal	Alabaster	Sand
Soft Beige	Green	Real Navy	Tan	Whisper White	Skin	White
Tamarind	Grey	Whisper White	Chestnut	Frozen Dew	Off White	Soft Beige
Burlywood	Ivory	Navajo White	Gray	Winter Wheat	Real Navy	Taffy
Saddle Brown	Light Green	Soft Beige	Green	Navajo	White	Chestnut
Cappucinno	Tan	Camel	Champagne	Antique White	Wheat	Walnut
Taffy	Vanilla	Taffy	Camel	Partridge	Mocha	Cappuccino
	White	Sand Bar	Sienna	Brown Sugar	Moon Rock	
		Moon Rock	Rust	Moon Rock	Chocolate	
		Tamarind	Peach	Taffy		
		Brown Sugar	Light Gray	Sand		
		Cappuccino	Hunder Green	Cappuccino		
		Burgundy	Forest Green	Walnut		

Toulon
Custard
Taupe
Off White
Navajo White
Ivory
Coffee
Chestnut
Cappuccino

Vertical Blinds

Suggested Retail Price Table A

		Width														
		36	48	60	72	84	96	108	120	132	144	156	168	180	192	*Vanes Only
Length	36	122	156	188	214	241	267	302	335	370	388	436	448	489	515	10
	48	128	161	194	222	257	282	309	343	375	402	469	483	510	535	11
	60	141	175	203	229	262	290	320	370	408	442	489	501	535	563	12
	72	149	188	214	257	282	309	343	390	427	469	501	522	568	602	14
	84	161	194	229	262	296	335	370	416	469	494	548	568	616	650	15
	96	175	208	241	282	309	354	402	440	501	535	589	616	655	683	16
	108	188	222	262	302	343	375	427	469	535	568	629	655	708	748	17
	120	194	235	282	320	361	408	456	501	556	602	671	683	742	802	18
	132	203	241	302	343	375	427	483	522	582	641	708	729	790	843	19
	144	208	257	343	354	402	456	501	548	629	671	742	775	829	895	21
	Economy	21	26	33	42	47	52	58	66	71	78	84	92	97	99	
	Square Corner	33	42	47	52	58	66	71	78	84	92	97	102	110	112	
	Round Corner	66	71	78	84	92	97	102	110	116	123	135	140	148	149	
	Royal	87	115	142	168	195	223	250								





Patterns: - Builder's Quality (± 22-Gauge)

Suggested Retail Price Table B

		Width														
		36	48	60	72	84	96	108	120	132	144	156	168	180	192	*Vanes Only
Length	36	161	201	236	283	318	354	394	436	484	510	560	600	627	660	12
	48	166	209	249	291	324	365	408	449	497	539	580	615	649	681	13
	60	181	229	270	306	345	382	428	476	530	574	621	670	692	730	15
	72	194	249	283	324	372	400	449	510	560	600	655	704	738	771	16
	84	209	256	306	345	387	436	476	539	600	634	709	758	804	840	17
	96	236	276	318	372	415	462	517	574	649	692	764	820	854	896	18
	108	242	300	345	394	441	497	551	606	692	738	820	881	915	966	19
	120	249	311	365	428	470	530	586	649	724	787	875	922	966	1032	20
	132	256	318	382	441	497	560	615	675	758	835	915	979	1013	1081	22
	144	270	331	394	462	525	586	649	709	814	875	958	1019	1075	1142	23
	Economy	21	26	33	42	47	52	58	66	71	78	84	92	97	99	
	Square Corner	33	42	47	52	58	66	71	78	84	92	97	102	110	112	
	Round Corner	66	71	78	84	92	97	102	110	116	123	135	140	148	149	
	Royal	87	115	142	168	195	223	250								

Patterns: - Regular Curved (± 28-Gauge) - Regular Curved "S" Curved Smooth (± 28-Gauge)
 - Regular Flat (± 28-Gauge)
 - Ribcord

Vertical Blind Surcharge Options
Wand Control with Split Draw: \$5.00 Net
Special Size of Wand (48", 60", or 72"): \$1.00 Net
Blinds up to 102" in width and/or drop shipped via FedEx: \$4.00 per unit Net Freight Charge
Blinds 102-1/8" to 125" in width and/or drop shipped via FedEx: \$75.00 per unit Net Freight Charge
Blinds 125-1/8" or greater in width and/or drop shipped via Common Carrier: \$150.00 per shipment

Valance Options			
Economy Channel Panel Valance	Square Corner Dust Cover Valance	Round Corner Dust Cover Valance	3 1/4" Royal Valance (Outside Mount Only)
			

* Price is discountable and is per vane for PVC or Fabric Verticals.

All prices are in U.S. Dollars and do not include freight, duties or taxes for shipments to Alaska, Hawaii or Canada. GST and VAT are not included. Other restrictions and surcharges may apply. See Freight Policy for complete details. Manufacturing specifications, options, surcharges and pricing are subject to change without notice. Visit www.mariak.com for the most recent downloads.

Vertical Blinds

Suggested Retail Price Table 1

		Width														
		36	48	60	72	84	96	108	120	132	144	156	168	180	192	*Vanes Only
Length	36	191	227	265	307	347	387	428	470	512	551	590	632	674	716	15
	48	203	243	295	337	385	428	477	521	569	613	660	704	755	797	16
	60	213	265	317	370	418	470	521	571	624	674	725	775	827	877	17
	72	232	287	344	400	456	512	569	624	682	733	794	847	905	958	18
	84	243	307	370	428	491	551	613	674	733	797	857	918	980	1041	19
	96	264	328	397	459	527	590	660	725	794	857	926	989	1059	1122	20
	108	275	347	418	491	561	632	704	775	847	918	989	1061	1133	1203	22
	120	295	370	446	521	599	674	755	827	905	980	1059	1133	1211	1285	23
	132	307	387	470	551	632	716	797	877	958	1041	1122	1203	1285	1368	24
	144	326	409	497	581	673	756	844	928	1017	1100	1191	1274	1363	1448	25
Economy		Free Valance Upgrade - No Additional Charge														
Square Corner		Free Valance Upgrade - No Additional Charge														
Round Corner		Free Valance Upgrade - No Additional Charge														
Royal		87	115	142	168	195	223	250								

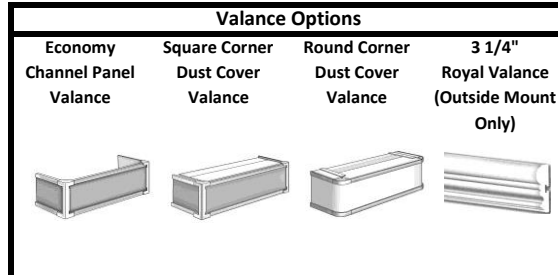
Patterns: - Corly - Manhattan - Pinnacle
 - Charleston - Myrtle - Richmond

Suggested Retail Price Table 2

		Width														
		36	48	60	72	84	96	108	120	132	144	156	168	180	192	*Vanes Only
Length	36	238	282	333	384	435	484	536	588	638	687	740	791	843	891	17
	48	249	307	367	421	478	536	595	651	709	765	823	881	939	993	18
	60	267	333	397	459	522	588	651	716	778	843	905	969	1031	1097	19
	72	289	356	428	497	569	638	709	778	849	918	989	1059	1129	1197	20
	84	307	384	459	536	613	687	765	843	918	993	1070	1150	1225	1300	21
	96	328	409	492	576	657	740	823	905	989	1070	1155	1237	1321	1403	22
	108	344	435	522	613	702	791	881	969	1059	1150	1237	1325	1414	1503	23
	120	367	459	556	651	746	843	939	1031	1129	1225	1321	1414	1512	1606	24
	132	384	484	588	687	791	891	993	1097	1197	1300	1403	1503	1606	1708	25
	144	404	512	620	727	836	943	1052	1160	1269	1376	1488	1594	1705	1810	26
Economy		Free Valance Upgrade - No Additional Charge														
Square Corner		Free Valance Upgrade - No Additional Charge														
Round Corner		Free Valance Upgrade - No Additional Charge														
Royal		87	115	142	168	195	223	250								

Patterns: - Concord - Oakdale - Savannah - Woodbridge
 - Largo - Perforated - Stanford

Vertical Blind Surcharge Options	
Wand Control with Split Draw:	\$5.00 Net
Special Size of Wand (48", 60", or 72"):	\$1.00 Net
Blinds up to 102" in width and/or drop shipped via FedEx: \$4.00 per unit Net Freight Charge	
Blinds 102-1/8" to 125" in width and/or drop shipped via FedEx: \$75.00 per unit Net Freight Charge	
Blinds 125-1/8" or greater in width and/or drop shipped via Common Carrier: \$150.00 per shipment	



* Price is discountable and is per vane for PVC or Fabric Verticals.

All prices are in U.S. Dollars and do not include freight, duties or taxes for shipments to Alaska, Hawaii or Canada. GST and VAT are not included. Other restrictions and surcharges may apply. See Freight Policy for complete details.

Manufacturing specifications, options, surcharges and pricing are subject to change without notice.

Visit www.mariak.com for the most recent downloads.

Vertical Blinds

Suggested Retail Price Table 5

		Width														
		36	48	60	72	84	96	108	120	132	144	156	168	180	192	*Vanes Only
Length	36	380	448	529	613	693	775	857	939	1022	1100	1185	1265	1347	1427	24
	48	401	491	583	674	768	857	952	1041	1134	1225	1318	1406	1502	1592	26
	60	428	529	632	733	836	939	1041	1141	1242	1347	1448	1549	1654	1752	28
	72	462	571	686	797	911	1022	1134	1242	1359	1470	1584	1691	1809	1917	31
	84	491	613	733	857	980	1100	1225	1347	1470	1592	1712	1835	1958	2081	33
	96	522	654	790	918	1052	1185	1318	1448	1584	1712	1848	1978	2112	2243	35
	108	551	693	836	980	1122	1265	1406	1549	1691	1835	1978	2122	2263	2408	41
	120	583	733	889	1041	1195	1347	1502	1654	1809	1958	2112	2263	2418	2569	43
	132	613	775	939	1100	1265	1427	1592	1752	1917	2081	2243	2408	2569	2733	45
	144	649	815	992	1163	1337	1509	1685	1854	2031	2203	2378	2550	2725	2895	47
	Economy	Free Valance Upgrade - No Additional Charge														
	Square Corner	Free Valance Upgrade - No Additional Charge														
	Round Corner	Free Valance Upgrade - No Additional Charge														
	Royal	87	115	142	168	195	223	250	(Not Available with Fabric Verticals)							





Patterns: - Belmont - Plymouth
 - Sonoma & Sonoma "S" Curve

Suggested Retail Price Table 6

		Width														
		36	48	60	72	84	96	108	120	132	144	156	168	180	192	*Vanes Only
Length	36	428	508	596	687	780	872	963	1055	1150	1240	1331	1423	1515	1606	26
	48	452	551	657	759	866	963	1070	1172	1278	1376	1482	1584	1689	1789	29
	60	483	596	710	827	940	1055	1172	1285	1401	1515	1631	1742	1856	1974	32
	72	521	641	774	895	1024	1150	1278	1401	1530	1654	1780	1905	2032	2156	35
	84	551	687	827	963	1100	1240	1376	1515	1654	1789	1926	2065	2203	2339	41
	96	589	733	887	1031	1188	1331	1482	1631	1780	1926	2081	2225	2378	2524	43
	108	620	780	940	1100	1263	1423	1584	1742	1905	2065	2225	2387	2546	2708	46
	120	657	827	1002	1172	1347	1515	1689	1856	2032	2203	2378	2546	2724	2890	49
	132	687	872	1055	1240	1423	1606	1789	1974	2156	2339	2524	2708	2890	3074	51
	144	727	918	1117	1308	1505	1698	1897	2086	2288	2476	2676	2868	3068	3257	53
	Economy	Free Valance Upgrade - No Additional Charge														
	Square Corner	Free Valance Upgrade - No Additional Charge														
	Round Corner	Free Valance Upgrade - No Additional Charge														
	Royal	87	115	142	168	195	223	250	(Not Available with Fabric Verticals)							

Patterns: - Swirl - Free Hanging Fabric Vertical Lyon
 (+34% for Inserted Fabric Verticals)

Vertical Blind Surcharge Options
Wand Control with Split Draw: \$5.00 Net
Special Size of Wand (48", 60", or 72"): \$1.00 Net
Blinds up to 102" in width and/or drop shipped via FedEx: \$4.00 per unit Net Freight Charge
Blinds 102-1/8" to 125" in width and/or drop shipped via FedEx: \$75.00 per unit Net Freight Charge
Blinds 125-1/8" or greater in width and/or drop shipped via Common Carrier: \$150.00 per shipment

Valance Options			
Economy Channel Panel Valance	Square Corner Dust Cover Valance	Round Corner Dust Cover Valance	3 1/4" Royal Valance (Outside Mount Only)
			

* Price is discountable and is per vane for PVC or Fabric Verticals.

All prices are in U.S. Dollars and do not include freight, duties or taxes for shipments to Alaska, Hawaii or Canada. GST and VAT are not included. Other restrictions and surcharges may apply. See Freight Policy for complete details. Manufacturing specifications, options, surcharges and pricing are subject to change without notice. Visit www.mariak.com for the most recent downloads.

Vertical Blinds

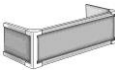



Suggested Retail Price Table 7

		Width														*Vanes Only
		36	48	60	72	84	96	108	120	132	144	156	168	180	192	
Length	36	473	557	656	757	861	959	1061	1162	1265	1363	1465	1565	1666	1768	28
	48	496	605	724	835	953	1061	1177	1291	1406	1514	1632	1742	1856	1968	32
	60	531	656	782	909	1034	1162	1291	1414	1541	1666	1795	1918	2045	2172	35
	72	573	707	851	986	1126	1265	1406	1541	1686	1818	1960	2098	2238	2372	42
	84	605	757	909	1061	1211	1363	1514	1666	1818	1968	2121	2271	2422	2574	45
	96	649	808	978	1136	1305	1465	1632	1795	1960	2121	2290	2447	2617	2777	48
	108	683	861	1034	1211	1387	1565	1742	1918	2098	2271	2447	2626	2801	2979	51
	120	724	909	1101	1291	1481	1666	1856	2045	2238	2422	2617	2801	2996	3180	53
	132	757	959	1162	1363	1565	1768	1968	2172	2372	2574	2777	2979	3180	3383	59
	144	799	1012	1226	1440	1657	1870	2086	2296	2517	2724	2944	3155	3375	3584	62
	Economy	Free Valance Upgrade - No Additional Charge														
	Square Corner	Free Valance Upgrade - No Additional Charge														
	Round Corner	Free Valance Upgrade - No Additional Charge														
	Royal	87	115	142	168	195	223	250	(Not Available with Fabric Verticals)							

Patterns: - Winchester

- Free Hanging Fabric Vertical Berlin & Paris
(+34% for Inserted Fabric Verticals)

Vertical Blind Surcharge Options
Wand Control with Split Draw: \$5.00 Net
Special Size of Wand (48", 60", or 72"): \$1.00 Net
Blinds up to 102" in width and/or drop shipped via FedEx: \$4.00 per unit Net Freight Charge
Blinds 102-1/8" to 125" in width and/or drop shipped via FedEx: \$75.00 per unit Net Freight Charge
Blinds 125-1/8" or greater in width and/or drop shipped via Common Carrier: \$150.00 per shipment

Valance Options			
Economy	Square Corner	Round Corner	3 1/4"
Channel Panel Valance	Dust Cover Valance	Dust Cover Valance	Royal Valance (Outside Mount Only)
			

* Price is discountable and is per vane for PVC or Fabric Verticals.

All prices are in U.S. Dollars and do not include freight, duties or taxes for shipments to Alaska, Hawaii or Canada. GST and VAT are not included. Other restrictions and surcharges may apply. See Freight Policy for complete details.

Manufacturing specifications, options, surcharges and pricing are subject to change without notice.

Visit www.mariak.com for the most recent downloads.

12.09.13kb



575 West Manville Street, Rancho Dominguez, CA 90220
 Customer Service Fax: (800) 459-6999 / International Fax: (310) 763-1749
 PH: (800) 562-7425 / (310) 661-4400

Purchase Order Vertical Blinds

Account #: _____ Company Name: _____ Contact: _____ Purchase Order #: _____
 Ship To Address: _____ Phone: _____ Sidemark: _____
 City: _____ State: _____ Zip: _____ Fax: _____ Date Required: _____
 EMAIL: _____ Ship Via (circle one): FedEX Common Carrier Mariak Truck Will Call

Line	Sidemark	Qty	Mount ¹	Width	Length	Headrail Type ²	Headrail Color ³	Vane Pattern ⁴	Vane Color ⁵	Rotation Type ⁶	Control Side ⁷	Stack Side ⁸	Valance ⁹	Bracket Type ¹⁰
1														
2														
3														
4														
5														
6														
7														
8														
9														
10														

Purchase Order Footnotes:

1. Mount:	(IM) - Inside Mount (OM) - Outside Mount	7. Control Side:	(L) - Left Side Tilt (Standard) (R) - Right Side Tilt
2. Headrail Type:	(M25M27) - M2500 / M2700 Aluminum Headrail (4-Prong Strap System) - Recommended by Mariak (M30M32) - M3000 / M3200 Heavy Duty Aluminum Headrail (4-Prong Strap System) (M45M47) - M4500 / M4700 Aluminum Headrail (8-Prong Scissor System) (M55) - M5500 Aluminum Headrail (Auto-Rotate 8-Prong Scissor System) (M10/M12) - M1000 / M1200 Steel Headrail (8-Prong Strap System) (M15/M17) - M1500 / M1700 Aluminum Headrail (8-Prong Strap System)	8. Stack Side:	(R) - Right Side (Vanes Stack to Right Side) (L) - Left Side (Vanes Stack to Left Side) (S) - Split Draw - Center Open (Vanes Stack to Outside Edges) (C) - Center Stack - Side Open (Vanes Stack to Inside of Window) (V) - Reverse Stack (Chain and Cord at Opposite Ends of Headrail)
3. Headrail Color:	(IVY) - Ivory (Not Available with Zirlon) (WHT) - White (Not Available with Zirlon) (AND) - Clear Anodized (Not Available with M1000/M1200 or M1500/M1700 Headrails)	9. Valance Type:	(SQR) - Square Corner Dust Cover Valance (RND) - Round Corner Dust Cover Valance (ECO) - Economy Channel Panel Valance (RYL) - 3 3/4" Fauxwood Royal Valance
4. Vane Pattern:	Specify the type of vane material or pattern name.	10. Bracket Type:	(STD) - Standard Bracket (IM = Ceiling Clamp / OB = 2 1/2" L Brackets (4"L) - 4" L Brackets (EXT) - 6" Flat Extension Bracket (CLP) - Ceiling Clamp
5. Vane Color:	Specify the color # and name.		
6. Rotation Type:	(W) - Wand Tilt (Not Available with M4500/M4700 or M5500) (C) - Chain Tilt		

Mariak

Many Window Solutions From One Source

BLANK PAGE

575 West Manville Street
Rancho Dominguez, CA 90220
(800) 562-7425
www.mariak.com