

Mariak

Many Window Solutions From One Source

Mini-Blind Section

Mariak Mini-Blinds

Mariak Elite Contoured Headrail Mini-Blinds

Levolor Riviera Mini-Blinds

Dynasty Mini-Blinds

Effective June 5, 2013



Save a life: "Install Cord Cleats!"

Mini-Blind Measuring & Ordering Instructions

Selecting the Type of Mounting:

Determine whether the blind is going to be installed inside the window frame or outside the window frame.



Inside Mount (IB):

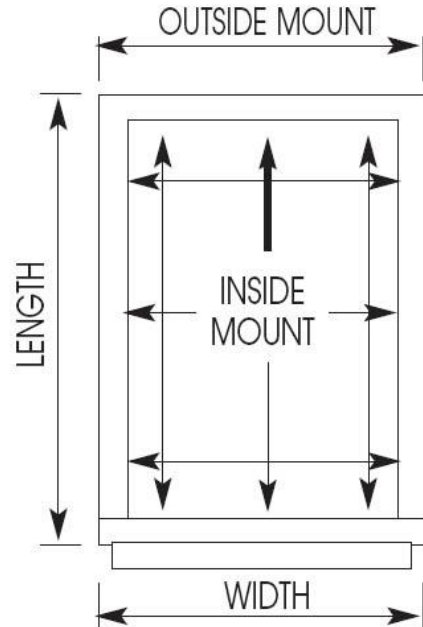
Inside mount installations are often preferred because the blinds take up less space in the room.

Measuring the Width and the Length for Inside Mount:

For the width, measure across the top, middle, and bottom of the window opening. Using the narrowest dimension, measure to the nearest 1/8". By using the narrowest measurement the blind will operate correctly.

For the length, measure the up and down dimension on the left, center, and right side. Note the longest length measurement, measuring to the nearest 1/8".

The factory will make any appropriate deductions (1/2" standard for inside mount mini blinds). Do not make any width deductions.



Outside Mount (OB):

Outside mount installations are mounted on the wall or on the window molding. It is best to overlap the window opening at least 3/4" on each side when measuring for mini-blinds.

Measuring the Width and the Length for Outside Mount:

Measure the area that the blind is to cover. For mini-blinds it is recommended to overlap the window opening by at least 3/4" on each side for a total of 1 1/2". To allow for enough space for the mounting brackets and to cover the bottom of the window, the suggested overlap for a mini-blind is at least 3" (1 1/2" above the window opening and 1 1/2" below the opening). If the window opening has a sill, measure from where the top of the mini-blind will be located to the top of the window sill.

Note: When outside mount blinds are specified, no factory deductions are taken.

Confirming Measurements:

The most common error in ordering blinds is reversing the width and the length measurements. Always confirm that the width is the measurement that goes across from left to right and that the length is the measurement that goes from top to bottom.

Control Location Options:

- *Standard:* Tilter – Left / Lift Cords – Right
- *Reverse:* Tilter – Right / Lift Cords – Left
- *Same Left:* Tilter – Left / Lift Cords – Left
- *Same Right:* Tilter – Right / Lift Cords – Right

Stacking Height

Blind Drop Total Stack Thickness

24"	2 1/2"
36"	3"
48"	3 1/2"
60"	4"
72"	4 1/2"
84"	5"
96"	5 1/2"
108"	6"
120"	6 1/2"

Wand Selection Chart:

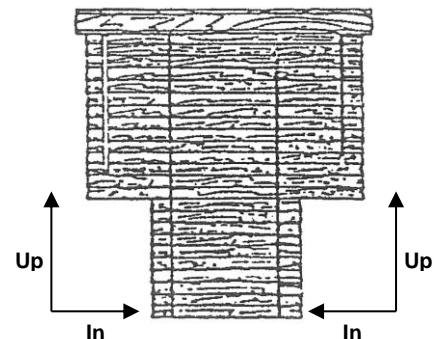
Blind Drop Wand Length

36" or less	24"
36 1/8" – 48"	30"
48 1/8" – 60"	36"
60 1/8" – 72"	48"
72 1/8" – 84"	60"
84 1/8" – 96"	72"
96 1/8" or greater	96"

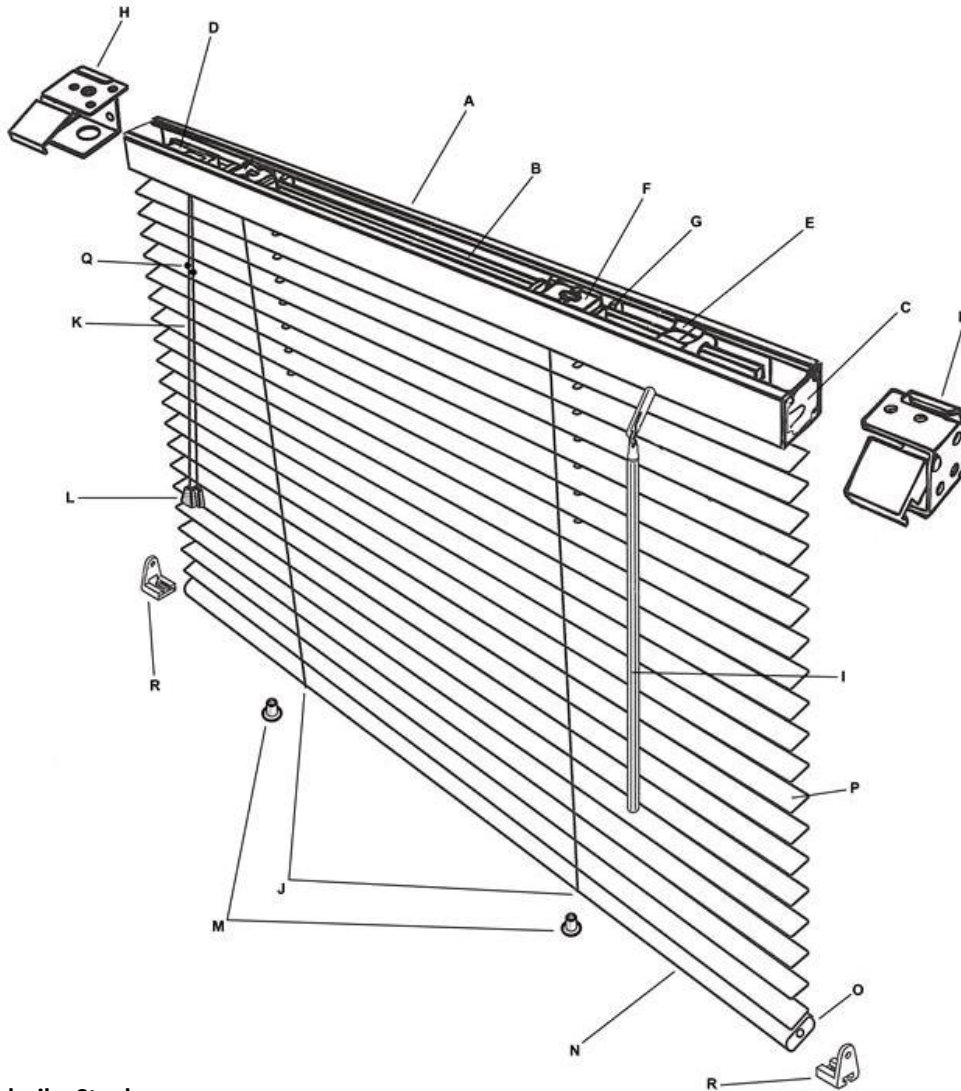
- Minimum Width: 13" Split Controls
- Blinds between 13" – 18" in width require split controls
- Under size blinds 13" or less a \$20.00 Net surcharge will apply.
- Minimum Width: 9" Center Tilt (no lift)
- Minimum Width: Levolor Riviera 15" Split Controls
- Blinds between 15" – 18" in width require split controls
- Minimum Width: Levolor Riviera 9" Center Tilt (no lift)
- Maximum Width: 142"
- Minimum Length/Height: 9"
- Maximum Length/Height: 144"
- Oversized blinds 120" in length or longer a \$10.00 Net Surcharge will apply

Cutouts:

A \$7.00 net surcharge will apply to each side cutout. A \$40.00 net surcharge will apply to each center cutout. A drawing with the necessary cutout dimensions is required. The maximum cut in width is 5 1/2".



1" x 1" Contractor & Residential Aluminum Mini-Blind System



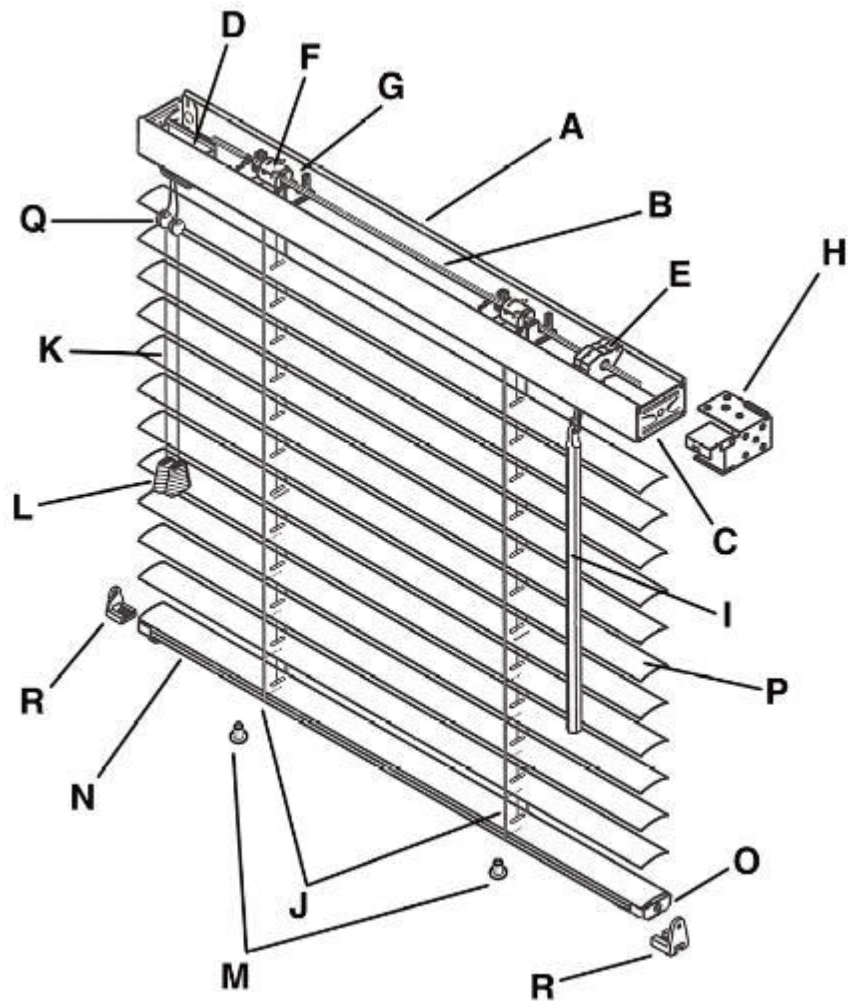
- A) Headrail – Steel
- B) Pinion Rod (Tilt Rod) – Square
- C) End Stiffeners
- D) Cord Lock
- E) Wand Tilter
- F) Tape Drum (Ladder Drum)
- G) Tape Drum Support (Cradle)
- H) Box Installation Bracket
- I) Wand – Clear Hexagonal
- J) Cord Ladder
- K) Lift Cord 1.4mm
- L) Cord Tassels
- M) Bottomrail Plus
- N) Bottomrail – C Shape
- O) Bottomrail End Caps
- P) Slats
- Q) Cord Safety Rings
- R) Hold Dorm Brackets - Optional

Mariak Contractor Mini Blind 6-Gauge Aluminum Slats
Mariak Residential Mini Blind 8-Gauge Aluminum Slats

System Features:

- Heavy Duty Metal and Plastic Components
- Wand Tilter has a metal stem, making it the strongest tilter in the industry

1-1/2" x 1" Professional & Estate Aluminum Mini-Blind System



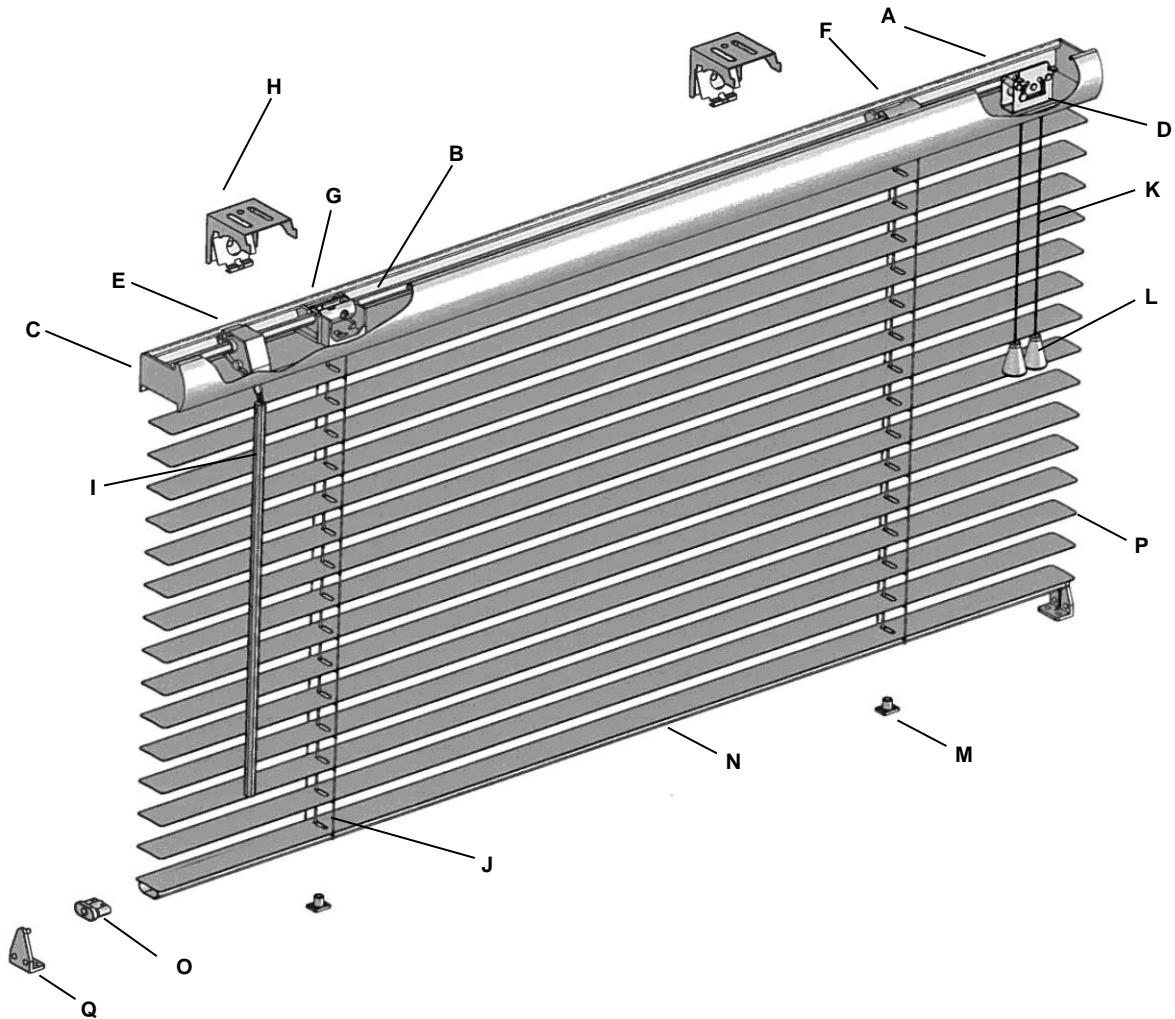
- A) Headrail – Steel
- B) Pinion Rod (Tilt Rod) – Hexagonal
- C) End Stiffeners
- D) Cold Lock
- E) Wand Tilter
- F) Tape Drum (Ladder Drum)
- G) Tape Drum Support (Cradle)
- H) Box Installation Bracket
- I) Wand – Clear Hexagonal
- J) Cord Ladder
- K) Lift Cord 1.4mm
- L) Cord Tassels
- M) Bottomrail Plugs
- N) Bottomrail – C Shape
- O) Bottomrail End Caps
- P) Slats
- Q) Cord Safety Rings
- R) Hold Down Brackets – Optional

Mariak Professional Mini Blind 6-Gauge Aluminum Slats
 Mariak Estate Mini Blind 8-Gauge Aluminum Slats

System Features:

- Heavy Duty Metal and Plastic Components
- Wand Tilter has a clutch mechanism preventing over-rotation and repairs

1-1/2" x 1" Elite & Elite Plus Contoured Aluminum Mini-Blind System



- A) Headrail – Steel
- B) Pinion Rod (Tilt Rod) – Hexagonal
- C) Headrail End Caps (Clear)
- D) Cord Lock
- E) Wand Tilter
- F) Tape Drum (Ladder Drum)
- G) Tape Drum Support (Cradle)
- H) Hidden Installation Bracket
- I) Wand – Clear Hexagonal
- J) Cord Ladder
- K) Lift Cord 1.4mm
- L) Cord Tassels
- M) Bottom Rail Plugs
- N) Bottomrail – C Shade
- O) Bottomrail End Caps
- P) Slats
- Q) Hold Down Brackets - Optional

Mariak Elite Mini Blind 6-Gauge Aluminum Slats
Mariak Elite Plus Mini Blind 8-Gauge Aluminum Slats

System Features:

- Integrated Headrail with Light Blocking Lip
- Snap-in Hidden Installation Brackets
- Heavy Duty Metal and Plastic Components
- Wand Tilter has a clutch mechanism preventing over-rotation and repairs

Mini-Blind Options & Surcharges

Optional Surcharges

Common Mini-Blind Surcharges:

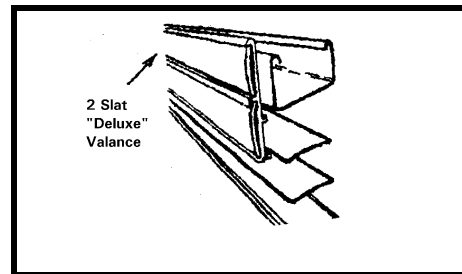
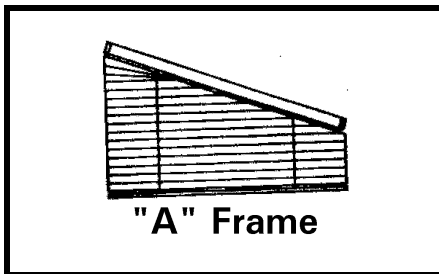
- Undersized Blinds (13" and less in width) = \$20.00 (net charge)
- Oversized Blinds (greater than 120" in length) = \$10.00 (net charge)
- Tile Cut Blinds with a 5 1/2" maximum cutout on each side = \$7.00 per side (net charge)
- Center Cutout Blinds = \$40.00 (net charge)
- Slanted Top Blinds = \$125.00 (net charge)
- 2-on-1 Headrail Blinds = \$20.00 (net charge; use overall width and length and then add surcharge)
- 3-on-1 Headrail Blinds = \$30.00 (net charge; use overall width and length and then add surcharge)
- Side Definition Channels = \$2.00 per foot for both sides (net charge)
- Sill Definition Channels = \$1.00 per foot (net charge)
- Motorized Tilt Only Blinds (quote required)
- Classic Blinds (19.5mm ladder spacing – 15.7 slats/ft.) = 5% (surcharge)
- Lightmaster Privacy Blinds (18.0mm ladder spacing – 16.9 slats/ft.) = 10% (surcharge)
- Multi-Color Blinds = \$15.00 for the 1st extra color & \$6.00 for each additional color (net charge)

Levolor Riviera and Mariak Dynasty Mini-Blind Surcharges:

- Sheerview Perforated Slat Blinds = 30% (surcharge)
- Metallic, Pearlized, & Native Stone Slat Blinds = 10% (surcharge)
- Top-Lock Cord Lock = \$1.00 (net charge)
- Ring Pull = \$1.00 (net charge)
- Cord Tilter = \$5.00 (net charge)
- Universal Ring Tilter = \$13.00 (net charge)
- Restrictive Tilter = \$4.00 (net charge); degrees available: 0-70, 0-90, 45-45, 60-60, & 75-75
- Tilt Poles: 4 Foot = \$18.00 (net charge); 6 to 10 Foot Adjustable = \$24.00 (net charge)
- Pivot Plates = \$1.00 (net charge); allow 4 weeks for production of custom-made brackets
- Pocket Brackets = \$1.50 (net charge)

Manufacturing Notes:

- Blinds 9" and less in width require center tilt and no lift controls.
- Blinds between 12" and 18" in width require split controls.
- Side Channels only available with 1 1/2" headrail.
- Unless specified, mini-blinds will be manufactured as Contract Blinds (21.5mm ladder – 14.2 slats/ft.)



Mini-Blinds Available & Price Table Listing

Type of Mini-Blind	Headrail	Slat Options	Ladder Options	Components
Mariak Contractor	1" x 1"	6 Gauge	Contract (14.2 slats/ft) Privacy (16.9 slats/ft)	Snap-In Parts
Mariak Residential	1" x 1"	8 Gauge	Contract (14.2 slats/ft) Classic (15.7 slats/ft) Privacy (16.9 slats/ft)	Snap-In Parts
Mariak Professional	1 1/2" x 1"	6 Gauge	Contract (14.2 slats/ft) Privacy (16.9 slats/ft)	Snap-In Parts
Mariak Estate	1 1/2" x 1"	8 Gauge	Contract (14.2 slats/ft) Classic (15.7 slats/ft) Privacy (16.9 slats/ft)	Snap-In Parts
Mariak Builder	1" x 1"	6 Gauge	Builder (13.5 slats/ft)	Snap-In Parts
Mariak Builder Plus	1 1/2" x 1"	6 Gauge	Builder (13.5 slats/ft)	Snap-In Parts
Mariak Elite Contoured	1 1/2" x 1"	6 Gauge	Contract (14.2 slats/ft) Classic (15.7 slats/ft) Privacy (16.9 slats/ft)	Snap-In Parts (Clear end caps only)
Mariak Elite Contoured Plus	1 1/2" x 1"	8 Gauge	Contract (14.2 slats/ft) Classic (15.7 slats/ft) Privacy (16.9 slats/ft)	Snap-In Parts (Clear end caps only)
Levolor Riviera	1 1/2" x 1"	6 & 8 Gauge	Contract (14.2 slats/ft) Classic (15.7 slats/ft) Privacy (16.9 slats/ft)	Clinch-In Metal Parts
Dynasty Commercial	1 1/2" x 1"	6 Gauge	Contract (14.2 slats/ft) Privacy (16.9 slats/ft)	Locked-In Metal Parts
Dynasty Architect	1 1/2" x 1"	8 Gauge	Contract (14.2 slats/ft) Classic (15.7 slats/ft) Privacy (16.9 slats/ft)	Locked-In Metal Parts

Note:

- Dynasty Blinds use Mariak mini-blind color selector with all metal headrail parts that are locked into place.
- The Mariak Builder and Mariak Builder Plus blinds are available by contract request only.

Mini-Blind Price Table Listing

Type of Mini-Blind	Type of Slat Material		
	Standard	Metallic	Perforated
Mariak Contract - Contractor Blind with 1" x 1" & 6-gauge gauge slat	1	2	N/A
Mariak Contract - Residential Blind with 1" x 1" & 8-gauge slat	2	3 + 15%	4
Mariak Contract - Professional Blind with 1.5" x 1" & 6-gauge slat	2	3	N/A
Mariak Contract - Estate Blind with 1.5" x 1" & 8-gauge slat	3	3 + 15%	4
Mariak Contract - Elite Contoured Headrail with 6-gauge slat	2 + 10%	N/A	N/A
Mariak Contract - Elite Contoured Headrail with 8-gauge slat	3 + 10%	N/A	N/A

Options:

- Add an additional 5% for Classic Ladder Spacing (19.5mm – 15.7 slats per foot); Only available for 8-gauge slats
- Add an additional 10% of Privacy Ladder Spacing (18.0mm – 16.9 slats per foot); Available for both 6-gauge & 8-gauge slats

Type of Mini-Blind	Type of Slat Material		
	Standard	Metallic	Perforated
Levolor – Riviera Contract with 1.5" x 1" & 6-gauge slat	2	2 + 10%	N/A
Levolor – Riviera Contract with 1.5" x 1" & 8-gauge slat	3	3 + 10%	3 + 30%

Options:

- Add an additional 5% for Classic Ladder Spacing (19.5mm – 15.7 slats per foot); Only available for Levolor Riviera with 8-gauge slats
- Add an additional 10% of Privacy Ladder Spacing (18.0mm – 16.9 slats per foot); Available for Levolor Riviera with 6-gauge & 8-gauge slats

Type of Mini-Blind	Type of Slat Material		
	Standard	Metallic	Perforated
Dynasty Contract – Commercial with 1.5" x 1" & 6-gauge slat	2	3	N/A
Dynasty Contract – Architect with 1.5" x 1" & 8-gauge slat	3	3 + 15%	4

Options:

- Add an additional 5% for Classic Ladder Spacing (19.5mm – 15.7 slats per foot); Only available for 8-gauge slats
- Add an additional 10% of Privacy Ladder Spacing (18.0mm – 16.9 slats per foot); Available for both 6-gauge & 8-gauge slats

Notes:

- Contract Blind denotes 21.5 mm ladder (14.2 slats/ft.)
- Classic Blind denotes 19.5 mm ladder (15.7 slats/ft.)
- Privacy Blind denotes 18.0 mm ladder (16.9 slats/ft.) & offset route hole
- Builder Blind denotes 22.5 mm ladder (13.5 slats/ft.); Limited Color Options

Mariak

Many Window Solutions From One Source

Mariak Mini-Blind Color Listing

Aluminum Color Listing	Mariak Brand Mini-Blinds					Mariak Dynasty Mini-Blinds	
	Contractor 1" x 1" Headrail 6-Gauge Slats	Professional 1 1/2" x 1" Headrail 6-Gauge Slats	Residential 1" x 1" Headrail 8-Gauge Slats	Estate 1 1/2" x 1" Headrail 8-Gauge Slats	Elite/Elite Plus Contoured 1 1/2" x 1" Headrail 6 & 8 Gauge Slats	Commercial 1 1/2" x 1" Headrail 6-Gauge Slats	Architect 1 1/2" x 1" Headrail 8-Gauge Slats
	Standard Aluminum Colors						
005 – White Gloss	X	X	X	X	X	X	X
006 – Raw Umber	X	X	X	X	Not Available	X	X
011 – Beige	X	X	X	X	X	X	Not Available
015 – Federal Blue	Not Available	X	Not Available	Not Available	Not Available	X	Not Available
017 – Gulf Blue	Not Available	X	Not Available	Not Available	Not Available	X	Not Available
020 – Chinese Red	Not Available	X	Not Available	Not Available	Not Available	X	Not Available
026 – Smokey Grey	X	X	X	X	Not Available	X	X
031 – Fawn	X	X	X	X	X	X	X
033 – Pitch Black	X	X	Not Available	Not Available	Not Available	X	Not Available
042 – Matte White	X	X	X	X	Not Available	X	X
062 – Char Brown	X	X	X	X	X	X	X
065 – Alm. Gloss White	X	X	X	X	X	X	Not Available
082 – Pale Pink	X	X	Not Available	Not Available	Not Available	X	Not Available
089 – True Blue	X	X	X	X	X	X	Not Available
100 – Vanilla	X	X	Not Available	Not Available	Not Available	X	Not Available
104 – Biscuit	X	X	X	X	X	X	Not Available
106 – Garnet Red	X	X	X	X	X	X	X
112 – Alabaster	X	X	X	X	X	X	X
121 – Brushed Alum.	X	X	X	X	X	X	X
130 – Angel Food	X	X	X	X	X	X	Not Available
137 – Misty Grey	Not Available	X	Not Available	Not Available	Not Available	X	Not Available
144 – Metallic Sky Jewel	X	X	Not Available	Not Available	Not Available	X	Not Available
169 – Pearl	X	X	Not Available	Not Available	Not Available	X	Not Available
173 – Spun Silk	X	X	Not Available	Not Available	Not Available	X	Not Available
205 – White Satin	X	X	X	X	X	X	X
217 – Angel Dust	X	X	Not Available	Not Available	Not Available	X	Not Available
228 – Sand	X	X	X	X	X	X	Not Available
233 – Black Satin	X	X	X	X	X	X	X
260 – Vanilla	X	X	X	X	Not Available	X	X
282 – Malt	X	X	Not Available	Not Available	Not Available	X	Not Available
350 – Forest Green	X	X	Not Available	Not Available	Not Available	X	Not Available
386 – Snow Cap	X	X	X	X	X	X	Not Available
413 – Hunter Green	X	X	X	X	Not Available	X	X
496 – Cream White	X	X	Not Available	Not Available	Not Available	X	Not Available
502 – Yellow White	X	X	Not Available	Not Available	Not Available	X	Not Available
544 – True White	X	X	Not Available	Not Available	Not Available	X	Not Available
701 – Navajo	X	X	Not Available	Not Available	Not Available	X	Not Available
724 – Almond	X	X	X	X	X	X	X
771 – Mercury	X	X	Not Available	Not Available	Not Available	X	Not Available
963 – Stucco	X	X	Not Available	Not Available	Not Available	X	Not Available
Metallic Aluminum Colors							
064 – Aluminum Text.	X	X	X	X	Not Available	X	X
144 – Sky Jewel	Not Available	X	Not Available	Not Available	Not Available	X	Not Available
Perforated Aluminum Colors							
P49 – Perf. Black	Not Available	Not Available	X	X	Not Available	Not Available	X
P64 – Perf. Aluminum	Not Available	Not Available	X	X	Not Available	Not Available	X
P65 – Perf. White	Not Available	Not Available	X	X	Not Available	Not Available	X

X – Designates that the Aluminum Color is available for the specific Mini-Blind.

Aluminum Color Listing	Mariak Brand Mini-Blinds 1/2" Micro Mini Blinds (16mm) 1" x 1" Headrail 8-Gauge Slats	
	005 - White Gloss	065 - Almost Gloss White
011 - Beige	106 - Garnet Red	386 - Snow Cap
026 - Smokey Grey	112 - Alabaster	544 - True White
042 - Matte White	121 - Brushed Aluminum	724 - Almond
062 - Char Brown	130 - Angel Food	

Mariak

Many Window Solutions From One Source

Levolor Mini-Blind Color Listing

Aluminum Color Listing	Riviera 1 ½" x 1" Headrail 6-Gauge Slats	Riviera 1 ½" x 1" Headrail 8-Gauge Slats
Standard Aluminum Colors		
031 – Polished Aluminum	X	X
034 – Brushed Aluminum	X	X
110 – White	X	X
111 – Cotton	X	X
112 – Alabaster	X	X
113 – White Cap	Not Available	X
115 – Dover	X	X
116 – Polar Bear	X	X
137 – Almond	X	X
148 – Vanilla	X	X
201 – Ivory	X	X
202 – Blush White	X	X
268 – Real Red	X	X
275 – Garnet Red	X	X
292 – Gingersnap	Not Available	X
310 – Sand	X	X
312 – Greige	X	X
316 – Malibu Sand	X	X
365 – Mushroom	X	X
368 – Beacon Brown	Not Available	X
384 – Rich Earth	Not Available	X
571 – Cactus Sage	X	X
590 – Sherwood Green	X	X
637 – China Blue	X	X
641 – Evening Shadows	X	X
685 – Royal Navy	X	X
765 – Wood Violet	Not Available	X
815 – Birch	Not Available	X
820 – Squirrel Gray	X	X
860 – Mercury	X	X
862 – Pearl Gray	X	X
870 – U.N. Gray	X	X
885 – Dark Bronze	X	X
887 – Raw Umber	X	X
890 – Black	X	X
892 – Low Gloss Black	X	X
Metallic Aluminum Colors		
915 – Copperite	Not Available	X
Perforated Aluminum Colors		
034 – Perf. Brushed Alum.	Not Available	X
110 – Perf. White	Not Available	X
112 – Perf. Alabaster	Not Available	X
885 – Perf. Dark Bronze	Not Available	X
892 – Perf. Low Gloss Black	Not Available	X

All prices are in U.S. Dollars and do not include freight, duties or taxes for shipment to Alaska, Hawaii or Canada. GST and VAT are no included. Other restrictions and surcharges may apply. See Freight Policy for complete details.

Manufacturing specifications, options, surcharges and pricing are subject to change without notice.

Visit www.mariak.com for the most recent downloads.



1" Aluminum Mini-Blinds

Suggested Retail Price Table 1

Type of Mini-Blind	Headrail																				Gauge	Colors			
Mariak Contractor	1" x 1"																				6	Standard			
Width																									
	23	26	29	32	36	40	44	48	52	57	62	67	72	82	92	102	112	122	132	142					
42	92	100	108	117	129	144	152	161	173	196	208	221	236	264	289	329	355	391	413	448					
48	100	112	120	129	140	155	170	181	194	213	228	241	256	289	315	348	389	426	460	482					
54	110	120	133	141	155	171	183	198	207	234	248	264	281	318	348	373	402	441	482	522					
60	118	133	141	155	170	182	196	206	225	251	277	292	309	344	374	407	448	499	528	569					
66	126	141	155	167	180	195	207	227	241	273	292	310	324	371	403	451	506	534	563	614					
72	136	150	163	179	188	206	226	243	269	293	315	331	355	399	439	500	539	582	630	668					
78	144	159	175	184	204	223	241	264	290	319	334	356	393	433	482	529	573	609	664	718					
84	150	171	185	204	224	243	263	287	317	344	363	394	432	480	527	575	622	670	711	769					
90	162	181	201	221	242	264	287	315	344	366	391	429	471	519	571	614	666	719	779	850					
96	168	188	206	230	261	287	315	345	368	402	436	468	514	565	618	665	723	784	844	910					
102	179	194	220	247	279	306	343	368	403	437	470	516	554	614	666	722	792	837	895	964					
108	183	205	227	259	292	327	366	401	439	471	519	560	605	665	728	790	840	902	964	1032					
114	196	215	239	267	307	343	376	417	455	488	537	587	627	700	770	837	905	964	1037	1119					
120	205	227	251	285	319	366	396	446	482	536	585	620	683	756	833	884	957	1033	1112	1193					
126	218	240	265	306	336	387	420	470	514	563	614	645	706	779	855	918	995	1090	1169	1269					
132	226	251	280	330	360	411	444	491	539	588	640	669	733	824	894	957	1032	1120	1208	1311					
138	237	265	293	351	381	436	469	514	561	614	667	698	759	872	943	1004	1079	1181	1259	1362					
144	248	283	309	373	404	461	492	539	588	640	696	723	787	912	982	1042	1115	1212	1302	1409					
DbL. Val.	9	10	12	13	15	16	18	19	20	23	25	27	29	32	37	40	45	49	52	57					
Dlx. Val.	23	25	28	30	34	38	41	45	49	53	57	62	68	76	87	95	105	114	123	133					

Includes Single Slat Valance.

Double Slat Valance & Deluxe Slat Valances are optional upgrades.

For Aluminum blinds, valance returns are not standard for inside mount.

Blinds less than 102" in width shipped via FedEx: \$4.00 / unit Net Freight Charge

Blinds 102-1/8" to 125" in width shipped via FedEx: \$75.00 / unit Net Freight Charge

Blinds 125-1/8" or greater in width shipped via Common Carrier: \$ 150.00 per shipment

Common Mini-Blind Surcharges Options:	
Classic Ladder (19.5mm - 15.7 slats/ft.)	5%
Privacy Ladder (18.0mm - 16.9 slats/ft.)	10%
Undersized Blind (12" and less in width)	\$20.00 net charge
Oversized Blind (greater than 120" in length)	\$10.00 net charge
Side Tile Cutout	\$7.00 net charge per side
Center Tile Cutout	\$40.00 net charge
2-on-1 Headrail Blind	\$20.00 net charge
3-on-1 Headrail Blind	\$30.00 net charge
Slanted Top Blind	\$125.00 net charge
Side Definition Channels =	\$2.00 / ft. net charge
Sill Definition Channels	\$1.00 / ft. net charge
Multi-Color Blind	\$15.00 Net for first extra color
	\$6.00 Net for additional color

All prices are in U.S. Dollars and do not include freight, duties or taxes for shipment to Alaska, Hawaii or Canada. GST and VAT are not included. Other restrictions and surcharges may apply. See Freight Policy for complete details. Manufacturing specifications, options, surcharges and pricing are subject to change without notice.

Visit www.mariak.com for the most recent downloads.

Mariak

Many Window Solutions From One Source

1" Aluminum Mini-Blinds

Suggested Retail Price Table 2

Type of Mini-Blind	Headrail	Gauge	Colors
Mariak Contractor	1" x 1"	6	Metallic
Mariak Residential	1" x 1"	8	Standard
Mariak Professional	1 1/2" x 1"	6	Standard
Mariak Elite Integrated Contoured Headrail	1 1/2" x 1"	6	Standard (Add 10% to Grid)
Levolor Riviera	1 1/2" x 1"	6	Standard
Mariak Dynasty Commercial	1 1/2" x 1"	6	Standard

Width

		23	26	29	32	36	40	44	48	52	57	62	67	72	82	92	102	112	122	132	142
Length	42	107	115	123	135	149	166	175	184	198	225	240	255	270	305	333	378	410	449	476	514
	48	115	129	139	149	161	178	195	208	222	245	263	279	292	333	363	399	447	490	529	554
	54	125	139	152	162	178	196	212	227	239	267	285	304	322	366	399	429	462	509	554	600
	60	136	152	162	178	195	210	225	238	259	289	317	336	354	395	431	468	514	574	608	655
	66	146	162	178	193	207	223	239	262	279	314	336	356	372	426	464	519	580	614	647	706
	72	156	173	188	205	215	238	261	281	310	338	363	380	410	459	506	575	621	669	724	769
	78	166	182	201	213	236	257	279	305	334	368	384	411	451	498	554	608	659	701	765	825
	84	173	196	214	236	258	281	303	331	365	395	417	453	495	552	605	661	714	772	818	885
	90	185	208	230	255	280	305	331	363	395	420	449	493	543	597	657	706	767	826	896	976
	96	194	215	238	265	300	331	363	396	423	462	501	538	592	649	710	766	832	900	971	1045
	102	204	222	252	284	319	351	394	423	464	503	542	595	637	706	767	830	911	964	1029	1108
	108	212	237	262	297	336	376	420	460	506	543	597	643	697	766	837	908	968	1038	1108	1186
	114	225	247	275	308	352	394	433	479	522	561	618	677	722	806	886	964	1039	1108	1193	1286
	120	237	262	289	327	368	420	456	512	554	616	674	712	785	870	957	1016	1101	1187	1280	1372
	126	248	277	304	343	383	439	464	528	585	635	693	734	811	895	976	1042	1147	1218	1340	1406
	132	259	289	321	365	398	454	491	546	619	658	711	752	838	919	996	1070	1171	1255	1365	1433
	138	268	300	334	383	414	470	516	574	649	684	740	780	857	940	1020	1098	1197	1279	1412	1479
	144	282	312	349	399	431	488	541	597	680	712	767	803	881	961	1040	1121	1212	1311	1445	1511
	Dlx. Val.	23	25	28	30	34	38	41	45	49	53	57	62	68	76	87	95	105	114	123	133

Includes Double Slat Valance.

For Aluminum blinds, valance returns are not standard for inside mount.

Blinds less than 102" in width shipped via FedEx: \$4.00 / unit Net Freight Charge

Blinds 102-1/8" to 125" in width shipped via FedEx: \$75.00 / unit Net Freight Charge

Blinds 125-1/8" or greater in width shipped via Common Carrier: \$ 150.00 per shipment

Common Mini-Blind Surcharges Options:	
Classic Ladder (19.5mm - 15.7 slats/ft.)	5%
Privacy Ladder (18.0mm - 16.9 slats/ft.)	10%
Undersized Blind (12" and less in width)	\$20.00 net charge
Oversized Blind (greater than 120" in length)	\$10.00 net charge
Side Tile Cutout	\$7.00 net charge per side
Center Tile Cutout	\$40.00 net charge
2-on-1 Headrail Blind	\$20.00 net charge
3-on-1 Headrail Blind	\$30.00 net charge
Slanted Top Blind	\$125.00 net charge
Side Definition Channels =	\$2.00 / ft. net charge
Sill Definition Channels	\$1.00 / ft. net charge
Multi-Color Blind	\$15.00 Net for first extra color \$6.00 Net for additional color

Levolor Mini-Blind Surcharge Options:	
Sheerview Perforated Slat Blinds	30%
Metallic Slat Blinds	10%
Pearlized Slat Blinds	10%
Native Stone Slat Blinds	10%
Top-Lock Cord Lock	\$1.00 net charge
Ring Pull	\$1.00 net charge
Cord Tilter	\$5.00 net charge
Universal Ring Tilter	\$13.00 net charge
Restrictive Wand Tilter	\$4.00 net charge
<small>(Available as: 0°-70°, 0°-90°, 45°-45°, 60°-60°, & 75°-75°)</small>	

All prices are in U.S. Dollars and do not include freight, duties or taxes for shipment to Alaska, Hawaii or Canada. GST and VAT are not included. Other restrictions and surcharges may apply. See Freight Policy for complete details. Manufacturing specifications, options, surcharges and pricing are subject to change without notice. Visit www.mariak.com for the most recent downloads.

Mariak

Many Window Solutions From One Source

1" Aluminum Mini-Blinds

Suggested Retail Price Table 3

Type of Mini-Blind	Headrail	Gauge	Colors
Mariak Estate	1 1/2" x 1"	8	Standard
Mariak Estate	1 1/2" x 1"	8	Metallic (Add 15% to Grid)
Mariak Residential	1" x 1"	8	Metallic (Add 15% to Grid)
Mariak Professional	1 1/2" x 1"	6	Metallic
Mariak Elite Integrated Contoured Headrail	1 1/2" x 1"	8	Standard (Add 10% to Grid)
Levolor Riviera	1 1/2" x 1"	8	Standard
Mariak Dynasty Commercial	1 1/2" x 1"	6	Metallic
Mariak Dynasty Architect	1 1/2" x 1"	8	Standard
Mariak Dynasty Architect	1 1/2" x 1"	8	Metallic (Add 15% to Grid)

Width

Length	Width																			
	23	26	29	32	36	40	44	48	52	57	62	67	72	82	92	102	112	122	132	142
42	134	145	155	171	185	207	220	234	250	284	304	319	341	383	419	478	516	566	599	649
48	145	162	175	185	203	225	245	263	281	308	332	350	370	419	458	504	563	618	666	699
54	159	175	193	204	225	247	266	286	301	338	360	383	406	461	504	541	582	640	699	756
60	172	193	204	225	245	265	284	300	326	366	399	425	448	498	543	592	649	724	766	824
66	183	204	225	241	262	282	301	329	350	396	425	450	469	537	583	655	732	773	815	890
72	197	218	237	260	270	300	328	352	392	426	458	480	516	579	637	725	782	845	913	970
78	207	229	252	267	296	323	350	383	422	462	485	517	570	627	699	767	831	884	964	1039
84	218	247	269	296	325	352	381	417	459	498	525	571	625	696	765	833	901	973	1032	1116
90	235	263	291	319	351	383	417	458	498	529	566	622	684	751	828	890	966	1041	1129	1231
96	243	270	300	334	377	417	458	499	533	582	633	680	746	818	895	965	1049	1137	1225	1319
102	259	281	318	357	403	443	495	533	583	634	683	749	803	890	966	1045	1148	1214	1297	1397
108	266	299	329	374	425	475	529	580	637	684	751	812	879	965	1057	1145	1220	1309	1397	1496
114	284	311	347	389	444	495	546	603	659	707	779	852	910	1015	1117	1214	1311	1397	1503	1623
120	299	329	366	413	462	529	574	646	699	776	850	898	991	1098	1208	1281	1389	1497	1613	1729
126	311	343	381	431	485	552	597	680	734	821	884	954	1045	1164	1274	1348	1455	1573	1724	1817
132	326	355	397	446	503	577	624	707	764	866	929	1008	1102	1225	1341	1417	1522	1644	1810	1908
138	338	371	416	461	523	597	643	734	792	905	969	1059	1161	1294	1409	1481	1605	1715	1897	2005
144	350	385	432	480	541	624	665	762	818	943	1010	1108	1213	1357	1486	1552	1666	1787	1997	2107
Dlx. Val.	23	25	28	30	34	38	41	45	49	53	57	62	68	76	87	95	105	114	123	133

Includes Double Slat Valance.

For Aluminum blinds, valance returns are not standard for inside mount.

Blinds less than 102" in width shipped via FedEx: \$4.00 / unit Net Freight Charge

Blinds 102-1/8" to 125" in width shipped via FedEx: \$75.00 / unit Net Freight Charge

Blinds 125-1/8" or greater in width shipped via Common Carrier: \$ 150.00 per shipment

Common Mini-Blind Surcharges Options:

Classic Ladder (19.5mm - 15.7 slats/ft.)	5%
Privacy Ladder (18.0mm - 16.9 slats/ft.)	10%
Undersized Blind (12" and less in width)	\$20.00 net charge
Oversized Blind (greater than 120" in length)	\$10.00 net charge
Side Tile Cutout	\$7.00 net charge per side
Center Tile Cutout	\$40.00 net charge
2-on-1 Headrail Blind	\$20.00 net charge
3-on-1 Headrail Blind	\$30.00 net charge
Slanted Top Blind	\$125.00 net charge
Side Definition Channels =	\$2.00 / ft. net charge
Sill Definition Channels	\$1.00 / ft. net charge
Multi-Color Blind	\$15.00 Net for first extra color \$6.00 Net for additional color

Levolor Mini-Blind Surcharge Options:

Sheerview Perforated Slat Blinds	30%
Metallic Slat Blinds	10%
Pearlized Slat Blinds	10%
Native Stone Slat Blinds	10%
Top-Lock Cord Lock	\$1.00 net charge
Ring Pull	\$1.00 net charge
Cord Tilter	\$5.00 net charge
Universal Ring Tilter	\$13.00 net charge
Restrictive Wand Tilter	\$4.00 net charge

(Available as: 0°-70°, 0°-90°, 45°-45°, 60°-60°, & 75°-75°)

All prices are in U.S. Dollars and do not include freight, duties or taxes for shipment to Alaska, Hawaii or Canada. GST and VAT are not included. Other restrictions and surcharges may apply. See Freight Policy for complete details.

Manufacturing specifications, options, surcharges and pricing are subject to change without notice.

Visit www.mariak.com for the most recent downloads.

1" Aluminum Mini-Blinds

Suggested Retail Price Table 4

Type of Mini-Blind	Headrail	Gauge	Colors
Mariak Residential	1" x 1"	8	Perforated
Mariak Estate	1 ½" x 1"	8	Perforated
Mariak Dynasty Architect	1 ½" x 1"	8	Perforated

Width

		23	26	29	32	36	40	44	48	52	57	62	67	72	82	92	102	112	122	132	142
Length	42	183	200	214	235	258	287	304	322	345	391	418	440	470	528	578	659	711	780	826	895
	48	200	223	241	258	281	310	338	363	385	425	457	482	510	578	632	696	775	852	920	964
	54	219	241	264	283	310	340	368	395	415	466	495	528	560	636	696	746	803	884	964	1043
	60	237	264	283	310	338	366	391	413	450	503	551	585	618	686	748	814	895	998	1056	1137
	66	252	283	310	333	361	389	415	455	482	546	585	620	647	742	806	901	1010	1066	1124	1228
	72	270	299	326	357	374	413	453	487	539	587	632	661	711	798	879	1000	1079	1166	1259	1338
	78	287	317	349	370	409	446	482	528	580	638	667	713	785	865	964	1058	1145	1217	1328	1434
	84	299	340	372	409	448	487	525	574	634	686	725	787	863	958	1054	1149	1243	1342	1423	1538
	90	324	363	402	440	485	528	574	632	686	729	780	858	943	1037	1141	1228	1332	1436	1558	1697
	96	335	374	413	461	521	574	632	688	734	803	872	936	1028	1128	1234	1330	1445	1567	1689	1818
	102	355	385	438	493	555	611	684	734	806	874	941	1033	1108	1228	1332	1442	1583	1674	1789	1926
	108	368	411	455	516	585	655	729	801	879	943	1037	1120	1211	1330	1457	1579	1682	1805	1926	2063
	114	391	429	478	535	613	684	752	833	909	975	1074	1174	1255	1399	1540	1674	1808	1926	2073	2236
	120	411	455	503	570	638	729	792	890	964	1071	1170	1238	1365	1515	1666	1767	1916	2065	2225	2385
	126	427	478	529	597	665	770	831	935	1022	1129	1239	1319	1446	1594	1799	1867	2021	2176	2333	2509
	132	444	501	554	624	692	811	869	982	1081	1188	1309	1401	1526	1675	1888	1965	2125	2287	2438	2624
	138	460	524	579	653	721	852	908	1027	1140	1247	1379	1481	1606	1756	1978	2064	2230	2399	2551	2751
	144	477	548	604	680	748	892	947	1073	1197	1305	1448	1562	1686	1836	2067	2165	2335	2510	2658	2867
	Dlx. Val.	23	25	28	30	34	38	41	45	49	53	57	62	68	76	87	95	105	114	123	133

Includes Double Slat Valance.

For Aluminum blinds, valance returns are not standard for inside mount.

Blinds less than 102" in width shipped via FedEx: \$4.00 / unit Net Freight Charge

Blinds 102-1/8" to 125" in width shipped via FedEx: \$75.00 / unit Net Freight Charge

Blinds 125-1/8" or greater in width shipped via Common Carrier: \$ 150.00 per shipment

Common Mini-Blind Surcharges Options:

Classic Ladder (19.5mm - 15.7 slats/ft.)	5%
Privacy Ladder (18.0mm - 16.9 slats/ft.)	10%
Undersized Blind (12" and less in width)	\$20.00 net charge
Oversized Blind (greater than 120" in length)	\$10.00 net charge
Side Tile Cutout	\$7.00 net charge per side
Center Tile Cutout	\$40.00 net charge
2-on-1 Headrail Blind	\$20.00 net charge
3-on-1 Headrail Blind	\$30.00 net charge
Slanted Top Blind	\$125.00 net charge
Side Definition Channels =	\$2.00 / ft. net charge
Sill Definition Channels	\$1.00 / ft. net charge
Multi-Color Blind	\$15.00 Net for first extra color \$6.00 Net for additional color

Levolor Mini-Blind Surcharge Options:

Sheerview Perforated Slat Blinds	30%
Metallic Slat Blinds	10%
Pearlized Slat Blinds	10%
Native Stone Slat Blinds	10%
Top-Lock Cord Lock	\$1.00 net charge
Ring Pull	\$1.00 net charge
Cord Tilter	\$5.00 net charge
Universal Ring Tilter	\$13.00 net charge
Restrictive Wand Tilter	\$4.00 net charge
<i>(Available as: 0° -70°, 0° -90°, 45° -45°, 60° -60°, & 75° -75°)</i>	

All prices are in U.S. Dollars and do not include freight, duties or taxes for shipment to Alaska, Hawaii or Canada. GST and VAT are not included. Other restrictions and surcharges may apply. See Freight Policy for complete details. Manufacturing specifications, options, surcharges and pricing are subject to change without notice.

Visit www.mariak.com for the most recent downloads.

Mariak

Many Window Solutions From One Source

Page _____ of _____

575 West Manville Street, Rancho Dominguez, CA 90220
 Customer Service Fax: (800) 459-6999 / International Fax: (310) 763-1749
 PH: (800) 562-7425 / (310) 661-4400

Purchase Order 1" Mini-Blinds

Account #: _____ Company Name: _____ Contact: _____ Purchase Order #: _____

Ship To Address: _____ Phone: _____ Sidemark: _____

City: _____ State: _____ Zip: _____ Fax: _____ Date Required: _____

EMAIL: _____ Ship Via (circle one): FedEX Common Carrier Mariak Truck Will Call

Line	Sidemark	Qty	Mount ¹	Width	Length	Headrail Type ²	Slat Type ³	Color ⁴	Ladder Type ⁵	Tilt Type ⁶	Tilt ⁷	Lift ⁸	Valance ⁹	Hold Downs	Spacer Block
1															
2															
3															
4															
5															
6															
7															
8															
9															
10															

Purchase Order Footnotes:

1. Mount: (IM) - Inside Mount (OM) - Outside Mount	6. Tilt Type: (W) - Wand Tilt (C) - Cord Tilt (Surchargeable - Available with Riviera & Dynasty mini-blinds only) (M) - Motorized Tilt (Surchargeable - Available with 1 1/2" headrail only)
2. Headrail Type: (1") - 1" x 1" Mariak Brand Headrail (1/2") Micro Mini (1 1/2") - 1 1/2" x 1" Mariak Brand Headrail Blind (ELT) - Contoured Integrated Headrail (RIV) - 1 1/2" x 1" Levolor Riviera Brand Headrail (DYN) - 1 1/2" x 1" Mariak Dynasty Headrail	7. Tilt Control: (L) - Left Side Tilt (Standard) (R) - Right Side Tilt (C) - Center Tilt (Required for blinds less than 11" in width)
3. Slat Type: (6) - 6 Gauge Slat Thickness (8) - 8 Gauge Slat Thickness	8. Lift Cord: (R) - Right Side Lift Cord (Standard) (L) - Left Side Lift Cord
4. Color: Specify the color # and name.	9. Valance Type: (SNG) - Single Slat Valance (DBL) - Double Slat Valance (DLX) - Deluxe Double Slat inserted in Valance Channel
5. Ladder Type: (Contract) - 21.5mm / 14.2 Slats/Ft. (Standard) (Classic) - 19.5mm / 15.7 Slats/Ft. (Surcharge) (Privacy) - 18.0mm / 16.9 Slats/Ft. (Surcharge) (Builder) - 22.5mm / 13.5 Slats/Ft. (By Quote Only)	