

Mariak

Many Window Solutions From One Source

Vertical Blind Section

Effective November 1st, 2008



Save a life: "Install Cord & Chain Safety Clips!"

Vertical Blind Measuring & Ordering Instructions

Selecting the Type of Mounting:

Determine whether the blind is going to be installed inside the window frame or outside the window frame.

Inside Mount (IB):

Inside mount installations are often preferred because the blinds take up less space in the room.

Measuring the Width and the Length for Inside Mount:

For the width, measure across the top, middle, and bottom of the window opening. Using the narrowest dimension, measure to the nearest 1/8". By using the narrowest measurement the blind will operate correctly.

For the length, measure the up and down dimension on the left, center, and right side. Use the shortest length measurement, measuring to the nearest 1/8".

The factory will make any appropriate deductions. Do not make any width or length deductions.

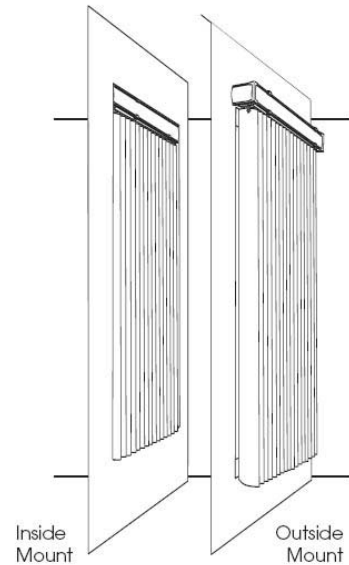
Outside Mount (OB):

Outside mount installations are mounted on the wall or on the window molding. It is best to overlap the window opening at least 3" on each side when measuring for vertical blinds.

Measuring the Width and the Length for Outside Mount:

Measure the area that the blind is to cover. For vertical blinds it is recommended to overlap the window opening by at least 3" on each side for a total of 6". To allow for enough space for the mounting brackets, it is also suggested that a vertical blind be installed at least 3" above the window opening.

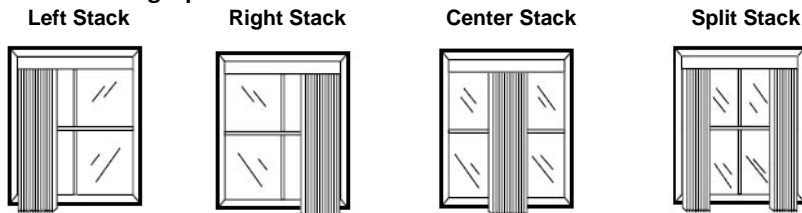
Note: When outside mount blinds are specified, no factory deductions are taken.



Confirming Measurements:

The most common error in ordering blinds is reversing the width and the length measurements. Always confirm that the width is the measurement that goes across from left to right and that the length is the measurement that goes from top to bottom.

Louver Stacking Options:



Vane Replacements:

Vane replacements are available and each replacement price is listed at the end of the tables. Always measure the size of the vertical and request "VANES ONLY."

Maximum Sizes:

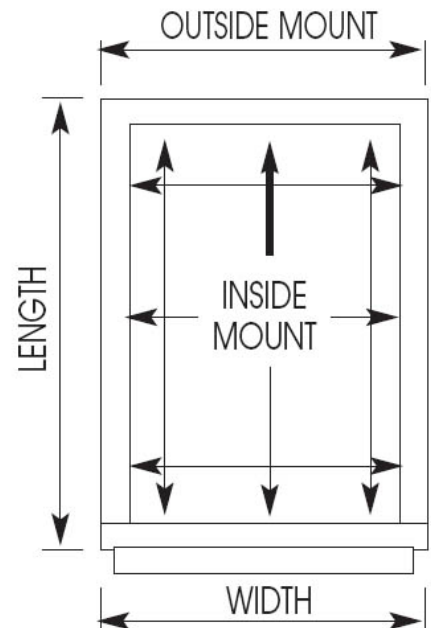
Maximum width is 192". Maximum height is 144".

Fabric Hems:

All fabric hems are custom sewn.

Corner Blinds:

When ordering corner blinds, dealer must make all deductions. Factory will not be responsible for such deductions.

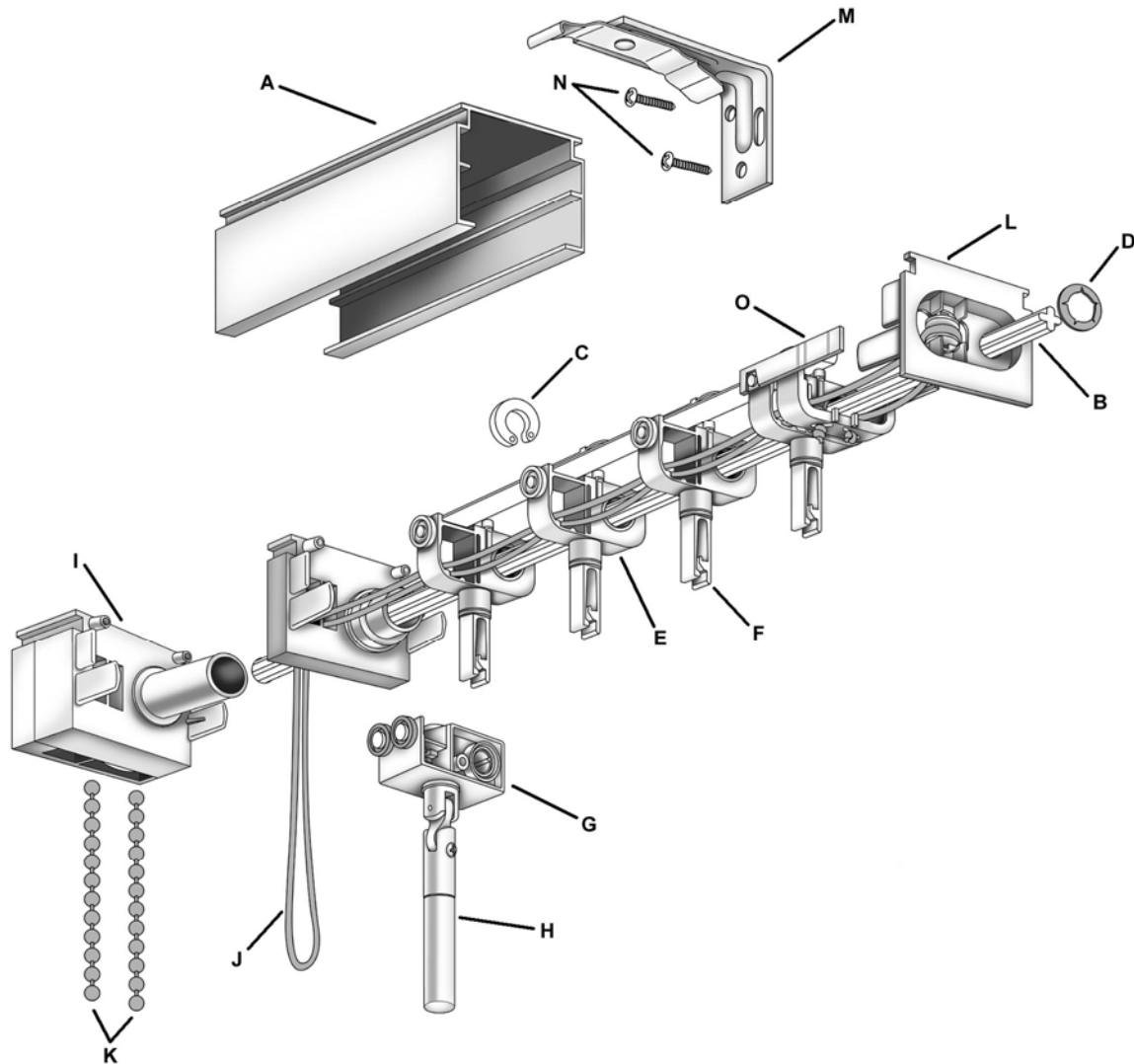


Mariak

Many Window Solutions From One Source

Vertical Blind Headrail Exploded Diagram

(Mariak's Flagship M-2500 / M-2700 Headrail System Shown)



Parts:

- A) Headrail – Medium Wall Aluminum
- B) Pinion Rod (Tilt Rod) – 4 Prong
- C) Stop C Clip
- D) Push Nut
- E) Discovery Carrier
- F) Carrier Stem
- G) Wand Control
- H) Wand
- I) End Control
- J) Nylon Cord
- K) Chain #10 N.P.S. (Nickel Plated Steel)
- L) Idle End
- M) Installation Bracket with Ceiling Clamp
- N) Installation Screws
- O) Cord Drive Runner (Master Runner)

Mariak

Many Window Solutions From One Source

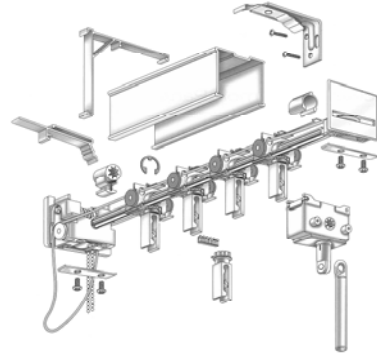
Vertical Blind Headrail Systems

Mariak Basic Vertical Blind Headrails

- 8-Prong Pinion Strap System
- Self-Aligning Carrier with Replaceable Stem
- Wheeled Carrier for Smooth Traversing
- Self-Lubricating Acetal parts
- Reinforced Strap Between Carriers

Headrail Types:

- *M-1500* – Aluminum Headrail w/Cord & Chain
- *M-1700* – Aluminum Headrail w/Wand Control

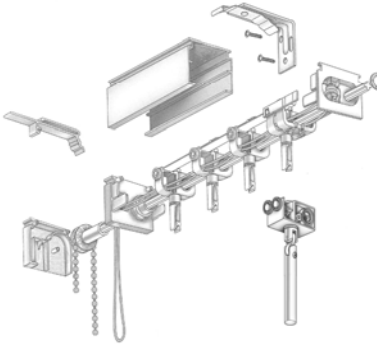


Mariak Commercial & Residential Vertical Blind Headrails

- 4-Prong Pinion Strap System
- Self-Aligning Carrier with Round Stem
- Wheeled Carrier for Smooth Traversing
- Self-Lubricating Acetal parts
- Reinforced Strap Between Carriers

Headrail Types:

- *M-2500* – Medium Wall Aluminum w/Cord & Chain
- *M-2700* – Medium Wall Aluminum w/Wand Control
- *M-3000* – Heavy Duty Aluminum w/Cord & Chain
- *M-3200* – Heavy Duty Aluminum w/Wand Control

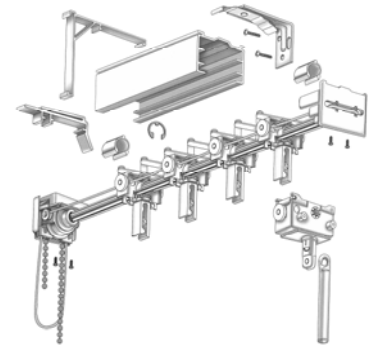


Mariak Scissor System Vertical Blind Headrails

- 8-Prong & 3-Prong Pinion Scissor System
- Self-Aligning Carrier with Replaceable Stem
- Wheeled Carrier for Smooth Traversing
- Spaces Equally Automatically
- Auto-Rotate Option Available

Headrail Types:

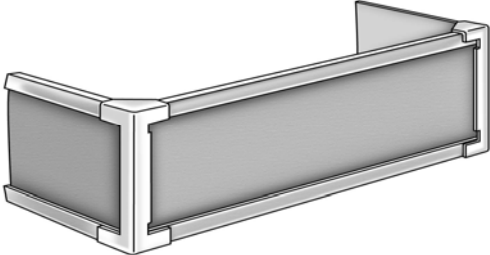
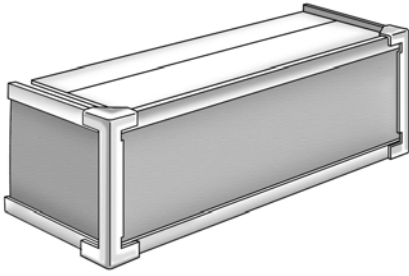
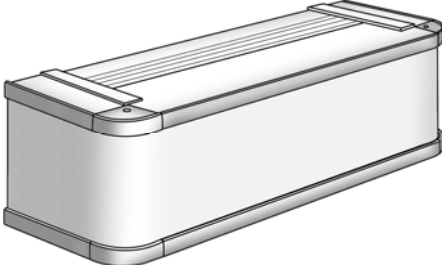


- *M-4500* – Medium Wall Aluminum w/Cord & Chain
- *M-4700* – Medium Wall Aluminum w/Wand Control
- *M-5500* – Medium Wall Aluminum w/Auto-Rotate
- *M-8000* – Medium Aluminum w/Micro-Mold Carrier



Mariak

Many Window Solutions From One Source

Vertical Blind Valance Options

<p>Economy Channel Panel Valance <i>Not Available with M-1000 & M-1200 Headrails</i></p> 	<p>Square Corner Dust Cover Valance</p> 
<p>Round Corner Valance</p> 	<p>Royal & Majestic Valances <i>These Valances Match The Available Horizontal Blind Valances</i></p>   <p>3.25" Royal Cornice Valance 5.50" Barrington Cornice Valance</p>

Valances Options:

- **Economy Valance = No Charge Option** for Designer PVC Patterns (Tables 1 through 7)
- Chargeable Option for Builder's Quality, Regular Curved, & Regular Flat PVC's (Tables A & B)
- **Square Corner Valance = No Charge Option** for Designer PVC Patterns (Tables 1 through 7)
- Chargeable Option for Builder's Quality, Regular Curved, & Regular Flat PVC's (Tables A & B)
- **Round Corner Valance = No Charge Option** for Designer PVC Patterns (Tables 1 through 7)
- Chargeable Option for Builder's Quality, Regular Curved, & Regular Flat PVC's (Tables A & B)
- Not available for Fauxwood Textured & Fauxwood RealGrain Vertical Blinds
- **Royal & Barrington Cornice Valances = See Price Tables for Additional Charges**

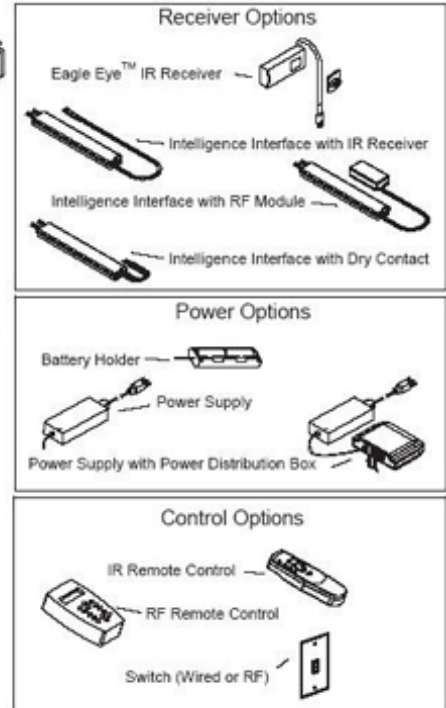
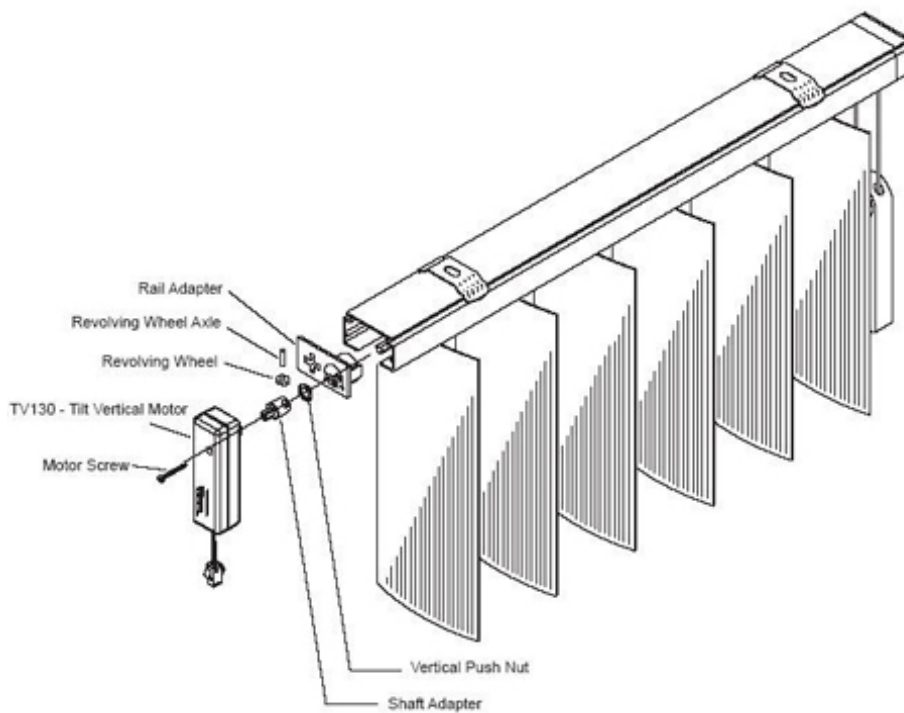
Mariak

Many Window Solutions From One Source

Motorized Vertical Blinds

Rotate Only Function

- Blinds Rotate Open or Closed At The Touch Of A Button -
- Blinds Are Traversed Open By Pulling On The Draw Cord -



Motorized Options & Surcharges:

Tilt Motor.....	\$60.00 Net (Batteries Included)
Infra-Red Transmitter.....	\$15.00 Net
Power Supply (Plug-In).....	\$45.00 Net
Power Distribution Box.....	Contact Sales For Assistance
Radio Frequency Module.....	Contact Sales For Assistance
Radio Frequency Switch.....	Contact Sales For Assistance
Radio Frequency Transmitter.....	Contact Sales For Assistance

Tilt Motors are available with the M-2500 & M-3000 Headrail Systems.

Features:

- Operates an unlimited number of blinds using a 6-channel infra-red hand-held transmitter (remote control).
- Range: 30 Ft. (direct line of sight)
- Control: Operates blinds as individual units and/or as groups.
- Upgrades: Radio frequency & Dry contract (requires power supply for these options; batteries not recommended)
- Battery life: 1 Year life expectancy (based on daily operation) - Requires 4 AA alkaline batteries



Many Window Solutions From One Source

3 1/2" One Way Draw Stacking Chart

M-2500/M-2700/M-3000/M-3200 Track Systems

# of Vanes	Blind Width	Total Stacking Space	# of Vanes	Blind Width	Total Stacking Space
5	16 1/4"	4 1/8"	34	106 7/8"	16 9/16"
6	19 3/8"	4 9/16"	35	110"	17"
7	22 1/2"	5"	36	113 1/8"	17 7/16"
8	25 5/8"	5 7/16"	37	116 1/4"	17 7/8"
9	28 3/4"	5 7/8"	38	119 3/8"	18 5/16"
10	31 7/8"	6 5/16"	39	122 1/2"	18 3/4"
11	35"	6 3/4"	40	125 5/8"	19 3/16"
12	38 1/8"	7 3/16"	41	128 3/4"	19 5/8"
13	41 1/4"	7 5/8"	42	131 7/8"	20 1/16"
14	44 3/8"	8 1/16"	43	135"	20 1/2"
15	47 1/2"	8 1/2"	44	138 1/8"	20 15/16"
16	50 5/8"	8 15/16"	45	141 1/4"	21 1/4"
17	53 3/4"	9 1/4"	46	144 3/8"	21 11/16"
18	56 7/8"	9 11/16"	47	147 1/2"	22 1/8"
19	60"	10 1/8"	48	150 5/8"	22 9/16"
20	63 1/8"	10 9/16"	49	153 3/4"	23"
21	66 1/4"	11"	50	156 7/8"	23 7/16"
22	69 3/8"	11 7/16"	51	160"	23 7/8"
23	72 1/2"	11 7/8"	52	163 1/8"	24 5/16"
24	75 5/8"	12 5/16"	53	166 1/4"	24 3/4"
25	78 3/4"	12 3/4"	54	169 3/8"	25 3/16"
26	81 7/8"	13 3/16"	55	172 1/2"	25 5/8"
27	85"	13 5/8"	56	175 5/8"	26 1/16"
28	88 1/8"	14 1/16"	57	178 3/4"	26 1/2"
29	91 1/4"	14 1/2"	58	181 7/8"	26 15/16"
30	94 3/8"	14 15/16"	59	185"	27 1/4"
31	97 1/2"	15 1/4"	60	188 1/8"	27 11/16"
32	100 5/8"	15 11/16"	61	191 1/4"	28 1/8"
33	103 3/4"	16 1/8"			

Please Note: This chart is intended for reference purposes only.

Mariak

Many Window Solutions From One Source

Vertical Blind Price Table Index

PVC Pattern	Price Table	PVC Pattern	Price Table
Alpine	5	Orleans "S" Curved	4
Arcadia	3	Orleans Metallic	7
Avalon	1	Palisades	3
Balboa	5	Perforated Flat	2
Belmont	5	Plymouth	5
Builder's Quality	A	Regular Curved	B
Cambria	4	Regular Flat	B
Concord	2	Ribcord	B
Diablo	1	Ridgecrest	3
Fallbrook	4	Salinas	3
Fauxwood Textured	3	Sonoma	5
Fauxwood RealGrain	4	Sonoma "S" Curved	5
Fremont	3	Stanford	2
Hollywood	2	Tahoe	3
Imperial	2	Valencia	3
Montclair	1	Winchester	7
Montecito	4	Winnetka	1
Oakdale	2	Woodbridge	2
Orleans	4		

Vertical Blind Material: 2" PVC's	2" PVC Vertical Blind Table	
PVC Curved 2"	4	
PVC 2" Perforated	6	

Vertical Blind Material: Fabrics	Fabric Vertical Blind Table	
	Free Hanging Table	Inserted Table
Tahiti (Fire Retardant)	5	7
SheerWeave Vertical Vanes	By Quote Only	By Quote Only

Vertical Blind Material: Aluminum	Aluminum Vertical Blind Table	
	Free Hanging Table	Inserted Table
Aluminum (White Satin, Alabaster, or Brushed Aluminum)	By Quote Only	By Quote Only

Vertical Blinds

Suggested Retail Price Table A

		Width														
		36	48	60	72	84	96	108	120	132	144	156	168	180	192	Vanes Only
Length	36	96	123	149	171	192	213	240	267	294	309	346	357	389	410	6.00
	48	101	128	155	176	203	224	245	272	299	320	373	384	405	426	7.00
	60	112	139	160	181	208	230	255	294	325	352	389	400	426	448	8.00
	72	117	149	171	203	224	245	272	311	341	373	400	416	453	480	9.00
	84	128	155	181	208	235	267	294	331	373	394	437	453	490	517	10.00
	96	139	165	192	224	245	282	320	350	400	426	469	490	522	544	11.00
	108	149	176	208	240	272	299	341	373	426	453	501	522	565	597	12.00
	120	155	186	224	255	287	325	363	400	443	480	534	544	591	640	13.00
	132	160	192	240	272	299	341	384	416	464	512	565	581	629	672	14.00
	144	165	203	272	282	320	363	400	437	501	534	591	618	661	714	15.00
	Economy	15	20	25	30	35	40	45	50	55	60	65	70	75	80	
	Square Corner	25	30	35	40	45	50	55	60	65	70	75	80	85	90	
	Round Corner	50	55	60	65	70	75	80	85	90	95	105	110	115	120	
	Royal/Barrington	80	105	130	155	180	205	230								


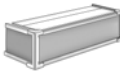



Patterns: - *Builder's Quality (± 22-Gauge)*

Suggested Retail Price Table B

		Width														
		36	48	60	72	84	96	108	120	132	144	156	168	180	192	Vanes Only
Length	36	123	155	181	218	245	272	304	336	373	394	432	464	485	512	7.00
	48	128	160	192	224	250	282	314	346	384	416	448	475	501	527	8.00
	60	139	176	208	235	267	294	331	368	410	443	480	517	534	565	9.00
	72	149	192	218	250	287	309	346	394	432	464	507	544	571	597	10.00
	84	160	197	235	267	299	336	368	416	464	490	549	586	623	650	11.00
	96	181	213	245	287	320	357	400	443	501	534	591	634	661	693	12.00
	108	186	230	267	304	341	384	426	469	534	571	634	682	709	747	13.00
	120	192	240	282	331	363	410	453	501	559	608	677	714	747	799	14.00
	132	197	245	294	341	384	432	475	522	586	645	709	757	784	836	15.00
	144	208	255	304	357	405	453	501	549	629	677	741	789	831	885	16.00
	Economy	15	20	25	30	35	40	45	50	55	60	65	70	75	80	
	Square Corner	25	30	35	40	45	50	55	60	65	70	75	80	85	90	
	Round Corner	50	55	60	65	70	75	80	85	90	95	105	110	115	120	
	Royal/Barrington	80	105	130	155	180	205	230								

Patterns: - *Regular Curved (± 28-Gauge)*
 - *Regular Flat (± 28-Gauge)*
 - *Ribcord*

Vertical Blind Surcharge Options
Motor Surcharge (Tilt Only): \$60.00 Net
Motor Transmitter: \$15.00 Net
Wand Control with Split Draw: \$5.00 Net
Zirlon Wand Control: \$9.00 Net
Zirlon Wand Control with Split Draw: \$12.00 Net
Special Size of Wand (48", 60", or 72"): \$1.00 Net
All Zirlon Verticals must be quoted
Blinds up to 96" in width & drop shipped via FedEx: \$4.00 per unit Net Freight Charge
Blinds 96 1/8" to 130" in width or drop shipped via FedEx: \$75.00 per unit Net Freight Charge
Blinds 130 1/8" or greater in width or drop shipped via Common Carrier: \$150.00 per shipment

Valance Options				
Economy	Square Corner	Round Corner	3 1/4"	5 1/2"
Channel Panel	Dust Cover	Dust Cover	Royal Valance	Barrington
Valance	Valance	Valance		Valance
				

Vertical Blinds

Suggested Retail Price Table 1

		Width														
		36	48	60	72	84	96	108	120	132	144	156	168	180	192	Vanes Only
Length	36	152	179	211	244	276	308	342	374	407	439	470	504	537	570	9.00
	48	160	194	234	268	307	342	380	415	454	488	527	561	601	635	10.00
	60	170	211	252	294	333	374	415	456	497	537	578	618	659	700	11.00
	72	184	228	273	318	363	407	454	497	543	585	632	675	721	764	12.00
	84	194	244	294	342	391	439	488	537	585	635	684	733	781	830	13.00
	96	210	260	315	365	420	470	527	578	632	684	738	789	845	895	14.00
	108	218	276	333	391	446	504	561	618	675	733	789	846	904	960	15.00
	120	234	294	356	415	477	537	601	659	721	781	845	904	966	1026	16.00
	132	244	308	374	439	504	570	635	700	764	830	895	960	1026	1091	17.00
	144	258	326	397	463	536	602	673	740	812	878	950	1017	1088	1156	18.00
	Economy	Free Valance Upgrade - No Additional Charge														
	Square Corner	Free Valance Upgrade - No Additional Charge														
	Round Corner	Free Valance Upgrade - No Additional Charge														
	Royal/Barrington	80	105	130	155	180	205	230								

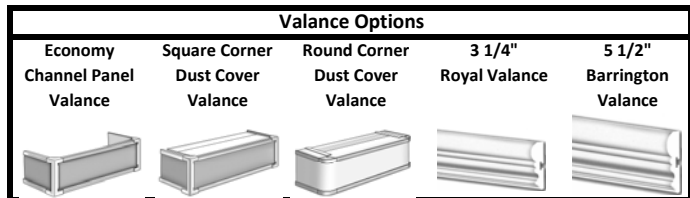
Patterns: - Avalon - Winnetka
 - Diablo
 - Montclair

Suggested Retail Price Table 2

		Width														
		36	48	60	72	84	96	108	120	132	144	156	168	180	192	Vanes Only
Length	36	189	224	265	306	345	385	427	468	509	548	590	630	672	712	11.00
	48	198	244	291	335	381	427	474	518	566	610	656	702	749	793	12.00
	60	213	265	315	365	416	468	518	570	621	672	721	773	823	875	13.00
	72	229	284	342	397	454	509	566	621	677	733	789	845	901	956	14.00
	84	244	306	365	427	488	548	610	672	733	793	854	917	978	1037	15.00
	96	260	326	392	458	524	590	656	721	789	854	922	986	1055	1119	16.00
	108	273	345	416	488	559	630	702	773	845	917	986	1057	1129	1200	17.00
	120	291	365	443	518	595	672	749	823	901	978	1055	1129	1206	1282	18.00
	132	306	385	468	548	630	712	793	875	956	1037	1119	1200	1282	1363	19.00
	144	321	407	494	579	667	753	840	925	1013	1098	1187	1272	1360	1445	20.00
	Economy	Free Valance Upgrade - No Additional Charge														
	Square Corner	Free Valance Upgrade - No Additional Charge														
	Round Corner	Free Valance Upgrade - No Additional Charge														
	Royal/Barrington	80	105	130	155	180	205	230								

Patterns: - Concord - Oakdale - Woodbridge
 - Hollywood - Perforated
 - Imperial - Stanford

Vertical Blind Surcharge Options
Motor Surcharge (Tilt Only): \$60.00 Net
Motor Transmitter: \$15.00 Net
Wand Control with Split Draw: \$5.00 Net
Zirlon Wand Control: \$9.00 Net
Zirlon Wand Control with Split Draw: \$12.00 Net
Special Size of Wand (48", 60", or 72"): \$1.00 Net
All Zirlon Verticals must be quoted
Blinds up to 96" in width & drop shipped via FedEx: \$4.00 per unit Net Freight Charge
Blinds 96 1/8" to 130" in width or drop shipped via FedEx: \$75.00 per unit Net Freight Charge
Blinds 130 1/8" or greater in width or drop shipped via Common Carrier: \$150.00 per shipment



Vertical Blinds

Suggested Retail Price Table 3

		Width														
		36	48	60	72	84	96	108	120	132	144	156	168	180	192	Vanes Only
Length	36	228	268	318	365	415	463	512	561	610	659	708	757	804	854	13.00
	48	240	294	350	403	459	512	570	623	679	733	789	842	900	952	14.00
	60	255	318	378	439	500	561	623	684	744	804	866	928	989	1049	15.00
	72	276	342	411	475	545	610	679	744	815	878	948	1013	1083	1147	16.00
	84	294	365	439	512	585	659	733	804	878	952	1026	1098	1172	1246	17.00
	96	313	391	470	548	630	708	789	866	948	1026	1108	1183	1265	1343	18.00
	108	330	415	500	585	672	757	842	928	1013	1098	1183	1271	1356	1441	19.00
	120	350	439	533	623	715	804	900	989	1083	1172	1265	1356	1449	1538	20.00
	132	365	463	561	659	757	854	952	1049	1147	1246	1343	1441	1538	1636	21.00
	144	385	488	594	695	802	904	1009	1111	1217	1319	1425	1527	1632	1733	22.00
Economy		Free Valance Upgrade - No Additional Charge														
Square Corner		Free Valance Upgrade - No Additional Charge														
Round Corner		Free Valance Upgrade - No Additional Charge (Not Available for Fauxwood Textured Verticals)														
Royal/Barrington		80	105	130	155	180	205	230								

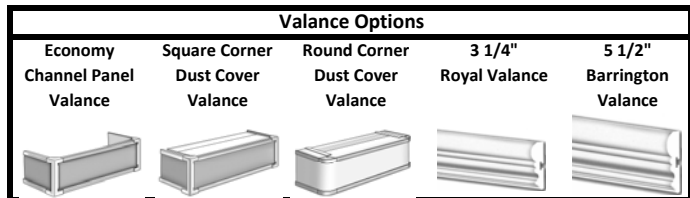
- Patterns:**
- *Arcadia*
 - *Palisades*
 - *Tahoe*
 - *Fauxwood Textured*
 - *Ridgecrest*
 - *Valencia*
 - *Fremont*
 - *Salinas*

Suggested Retail Price Table 4

		Width														
		36	48	60	72	84	96	108	120	132	144	156	168	180	192	Vanes Only
Length	36	266	313	370	427	483	541	599	655	712	769	826	882	940	998	15.00
	48	279	342	408	469	537	599	665	727	793	854	922	983	1049	1111	16.50
	60	299	370	440	512	583	655	727	797	869	940	1012	1083	1153	1224	18.00
	72	323	399	481	554	636	712	793	869	950	1026	1108	1181	1264	1339	19.50
	84	342	427	512	599	684	769	854	940	1026	1111	1196	1282	1367	1452	21.00
	96	365	456	551	641	737	826	922	1012	1108	1196	1292	1382	1476	1566	22.50
	108	384	483	583	684	782	882	983	1083	1181	1282	1382	1481	1581	1681	24.00
	120	408	512	623	727	836	940	1049	1153	1264	1367	1476	1581	1691	1794	25.50
	132	427	541	655	769	882	998	1111	1224	1339	1452	1566	1681	1794	1908	27.00
	144	452	570	692	812	936	1055	1177	1296	1421	1538	1662	1781	1906	2023	28.50
Economy		Free Valance Upgrade - No Additional Charge														
Square Corner		Free Valance Upgrade - No Additional Charge														
Round Corner		Free Valance Upgrade - No Additional Charge (Not Available for Fauxwood RealGrain Verticals)														
Royal/Barrington		80	105	130	155	180	205	230								

- Patterns:**
- *Cambria*
 - *Montecito*
 - *Fallbrook*
 - *Orleans*
 - *Fauxwood RealGrain*
 - *Orleans "S" Curve*

Vertical Blind Surcharge Options
Motor Surcharge (Tilt Only): \$60.00 Net
Motor Transmitter: \$15.00 Net
Wand Control with Split Draw: \$5.00 Net
Zirlon Wand Control: \$9.00 Net
Zirlon Wand Control with Split Draw: \$12.00 Net
Special Size of Wand (48", 60", or 72"): \$1.00 Net
All Zirlon Verticals must be quoted
Blinds up to 96" in width & drop shipped via FedEx: \$4.00 per unit Net Freight Charge
Blinds 96 1/8" to 130" in width or drop shipped via FedEx: \$75.00 per unit Net Freight Charge
Blinds 130 1/8" or greater in width or drop shipped via Common Carrier: \$150.00 per shipment



Vertical Blinds

Suggested Retail Price Table 5

		Width														
		36	48	60	72	84	96	108	120	132	144	156	168	180	192	Vanes Only
Length	36	302	357	422	488	552	618	684	749	815	878	944	1009	1074	1139	17.00
	48	319	391	465	537	612	684	758	830	905	978	1052	1122	1199	1271	19.00
	60	342	422	504	585	667	749	830	911	991	1074	1156	1236	1319	1399	21.00
	72	368	456	547	635	727	815	905	991	1085	1172	1264	1350	1444	1530	23.00
	84	391	488	585	684	781	878	978	1074	1172	1271	1367	1465	1563	1661	25.00
	96	416	521	629	733	840	944	1052	1156	1264	1367	1475	1579	1686	1791	27.00
	108	439	552	667	781	895	1009	1122	1236	1350	1465	1579	1693	1806	1922	29.00
	120	465	585	710	830	954	1074	1199	1319	1444	1563	1686	1806	1931	2051	31.00
	132	488	618	749	878	1009	1139	1271	1399	1530	1661	1791	1922	2051	2182	33.00
	144	516	650	792	928	1068	1204	1344	1481	1622	1758	1899	2036	2176	2312	35.00
	Economy	Free Valance Upgrade - No Additional Charge														
	Square Corner	Free Valance Upgrade - No Additional Charge														
	Round Corner	Free Valance Upgrade - No Additional Charge														
	Royal/Barrington	80	105	130	155	180	205	230								

Patterns:

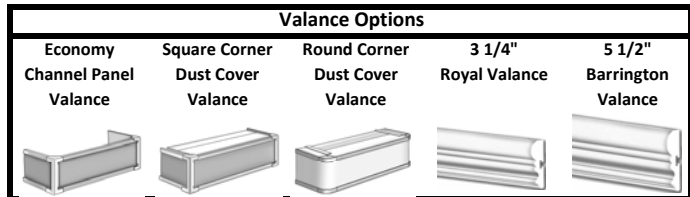
- *Alpine*
- *Balboa*
- *Belmont*
- *Plymouth*
- *Sonoma*
- *Sonoma "S" Curved*

Suggested Retail Price Table 6

		Width														
		36	48	60	72	84	96	108	120	132	144	156	168	180	192	Vanes Only
Length	36	342	403	475	548	623	695	769	842	917	989	1062	1135	1209	1282	19.00
	48	360	439	524	605	690	769	854	935	1020	1098	1183	1264	1348	1428	21.50
	60	384	475	567	659	750	842	935	1026	1117	1209	1301	1391	1483	1576	24.00
	72	415	512	617	714	817	917	1020	1117	1222	1319	1422	1521	1623	1721	26.50
	84	439	548	659	769	878	989	1098	1209	1319	1428	1538	1649	1758	1868	29.00
	96	469	585	708	823	947	1062	1183	1301	1422	1538	1661	1776	1899	2015	31.50
	108	494	623	750	878	1007	1135	1264	1391	1521	1649	1776	1906	2032	2162	34.00
	120	524	659	799	935	1074	1209	1348	1483	1623	1758	1899	2032	2175	2308	36.50
	132	548	695	842	989	1135	1282	1428	1576	1721	1868	2015	2162	2308	2455	39.00
	144	579	733	890	1044	1201	1356	1514	1666	1826	1977	2137	2290	2450	2601	41.50
	Economy	Free Valance Upgrade - No Additional Charge														
	Square Corner	Free Valance Upgrade - No Additional Charge														
	Round Corner	Free Valance Upgrade - No Additional Charge														
	Royal/Barrington	80	105	130	155	180	205	230								

Patterns:

Vertical Blind Surcharge Options
Motor Surcharge (Tilt Only): \$60.00 Net
Motor Transmitter: \$15.00 Net
Wand Control with Split Draw: \$5.00 Net
Zirlon Wand Control: \$9.00 Net
Zirlon Wand Control with Split Draw: \$12.00 Net
Special Size of Wand (48", 60", or 72"): \$1.00 Net
All Zirlon Verticals must be quoted
Blinds up to 96" in width & drop shipped via FedEx: \$4.00 per unit Net Freight Charge
Blinds 96 1/8" to 130" in width or drop shipped via FedEx: \$75.00 per unit Net Freight Charge
Blinds 130 1/8" or greater in width or drop shipped via Common Carrier: \$150.00 per shipment



Vertical Blinds

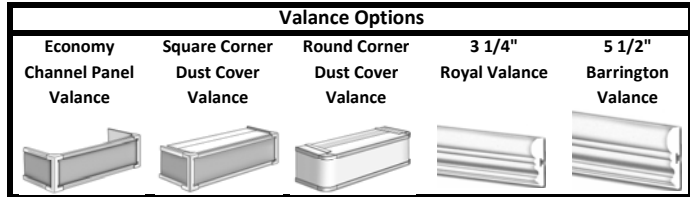
Suggested Retail Price Table 7

		Width														
		36	48	60	72	84	96	108	120	132	144	156	168	180	192	Vanes Only
Length	36	377	444	523	603	686	765	846	927	1009	1088	1169	1249	1330	1411	21.00
	48	396	483	577	666	759	846	940	1029	1122	1208	1302	1391	1483	1571	24.00
	60	423	523	624	725	825	927	1029	1129	1229	1330	1432	1531	1632	1734	27.00
	72	457	564	679	786	899	1009	1122	1229	1345	1451	1565	1674	1786	1894	30.00
	84	483	603	725	846	966	1088	1208	1330	1451	1571	1692	1814	1934	2055	33.00
	96	516	644	779	906	1042	1169	1302	1432	1565	1692	1828	1954	2089	2217	36.00
	108	544	686	825	966	1108	1249	1391	1531	1674	1814	1954	2097	2236	2379	39.00
	120	577	725	879	1029	1182	1330	1483	1632	1786	1934	2089	2236	2393	2539	42.00
	132	603	765	927	1088	1249	1411	1571	1734	1894	2055	2217	2379	2539	2701	45.00
	144	637	807	979	1149	1322	1492	1666	1833	2009	2175	2351	2519	2695	2862	48.00
	Economy	Free Valance Upgrade - No Additional Charge														
	Square Corner	Free Valance Upgrade - No Additional Charge														
	Round Corner	Free Valance Upgrade - No Additional Charge														
	Royal/Barrington	80	105	130	155	180	205	230								

Patterns:

- Orleans Metallic Gold
- Orleans Metallic Silver
- Winchester

Vertical Blind Surcharge Options
Motor Surcharge (Tilt Only): \$60.00 Net
Motor Transmitter: \$15.00 Net
Wand Control with Split Draw: \$5.00 Net
Zirlon Wand Control: \$9.00 Net
Zirlon Wand Control with Split Draw: \$12.00 Net
Special Size of Wand (48", 60", or 72"): \$1.00 Net
All Zirlon Verticals must be quoted
Blinds up to 96" in width & drop shipped via FedEx: \$4.00 per unit Net Freight Charge
Blinds 96 1/8" to 130" in width or drop shipped via FedEx: \$75.00 per unit Net Freight Charge
Blinds 130 1/8" or greater in width or drop shipped via Common Carrier: \$150.00 per shipment



Mariak

Many Window Solutions From One Source

575 West Manville Street, Rancho Dominguez, CA 90220

Customer Service Fax: (800) 459-6999 / International Fax: (310) 763-1749

PH: (800) 562-7425 / (310) 661-4400

Page _____ of _____

Purchase Order Vertical Blinds

Account #: _____ Company Name: _____ Contact: _____

Purchase Order #: _____

Ship To Address: _____ Phone: _____

Sidemark: _____

City: _____ State: _____ Zip: _____ Fax: _____

Date Required: _____

Line	Sidemark	Qty	Mount ¹	Width	Length	Headrail Type ²	Headrail Color ³	Vane Pattern ⁴	Vane Color ⁵	Rotation Type ⁶	Control Side ⁷	Stack Side ⁸	Valance ⁹	Bracket Type ¹⁰
1														
2														
3														
4														
5														
6														
7														
8														
9														
10														

Purchase Order Footnotes:

1. Mount:	(IM) - Inside Mount (OM) - Outside Mount	7. Control Side:	(L) - Left Side Tilt (Standard) (R) - Right Side Tilt
2. Headrail Type:	(M25M27) - M2500 / M2700 Aluminum Headrail (4-Prong Strap System) - Recommended by Mariak (M30M32) - M3000 / M3200 Heavy Duty Aluminum Headrail (4-Prong Strap System) (M45M47) - M4500 / M4700 Aluminum Headrail (8-Prong Scissor System) (M55) - M5500 Aluminum Headrail (Auto-Rotate 8-Prong Scissor System) (M10/M12) - M1000 / M1200 Steel Headrail (8-Prong Strap System) (M15/M17) - M1500 / M1700 Aluminum Headrail (8-Prong Strap System) (Zirlon) - Levolor Zirlon Aluminum Headrail (4-Prong Strap System) - By Contract Quote Only!	8. Stack Side:	(R) - Right Side (Vanes Stack to Right Side) (L) - Left Side (Vanes Stack to Left Side) (S) - Split Draw - Center Open (Vanes Stack to Outside Edges) (C) - Center Stack - Side Open (Vanes Stack to Inside of Window) (V) - Reverse Stack (Chain and Cord at Opposite Ends of Headrail)
3. Headrail Color:	(IVY) - Ivory (Not Available with Zirlon) (WHT) - White (Not Available with Zirlon) (AND) - Clear Anodized (Not Available with M1000/M1200 or M1500/M1700 Headrails)	9. Valance Type:	(SQR) - Square Corner Dust Cover Valance (RND) - Round Corner Dust Cover Valance (ECO) - Economy Channel Panel Valance (RYL) - 3 3/4" Fauxwood Royal Valance (BAR) - 5 1/2" Basswood Barrington Valance
4. Vane Pattern:	Specify the type of vane material or pattern name.	10. Bracket Type:	(STD) - Standard Bracket (IM = Ceiling Clamp / OB = 2 3/4" L Brackets (4"L) - 4" L Brackets (EXT) - 6" Flat Extension Bracket (CLP) - Ceiling Clamp
5. Vane Color:	Specify the color # and name.		
6. Rotation Type:	(W) - Wand Tilt (Not Available with M4500/M4700 or M5500) (C) - Chain Tilt (M) - Motorized Tilt (Surchargeable - Available with M2500 headrail)		

