

Mariak

Many Window Solutions From One Source

Vertical Blind Section

Effective August 18, 2011



Save a life: "Install Safety Tensioning Devices!"

Vertical Blind Measuring & Ordering Instructions

Selecting the Type of Mounting:

Determine whether the blind is going to be installed inside the window frame or outside the window frame.



Inside Mount (IB):

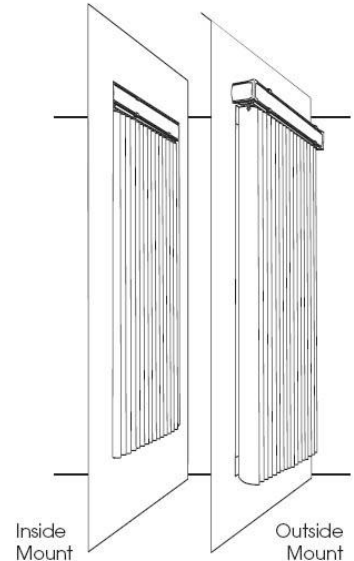
Inside mount installations are often preferred because the blinds take up less space in the room.

Measuring the Width and the Length for Inside Mount:

For the width, measure across the top, middle, and bottom of the window opening. Using the narrowest dimension, measure to the nearest 1/8". By using the narrowest measurement the blind will operate correctly.

For the length, measure the up and down dimension on the left, center, and right side. Use the shortest length measurement, measuring to the nearest 1/8".

The factory will make any appropriate deductions. Do not make any width or length deductions.



Outside Mount (OB):

Outside mount installations are mounted on the wall or on the window molding. It is best to overlap the window opening at least 3" on each side when measuring for vertical blinds.

Measuring the Width and the Length for Outside Mount:

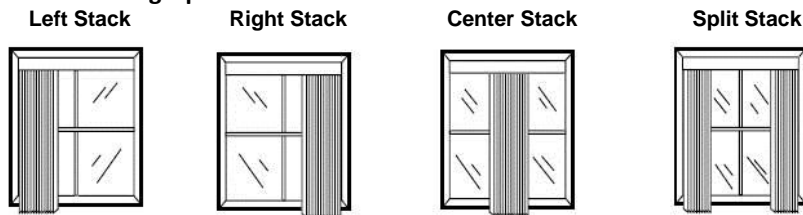
Measure the area that the blind is to cover. For vertical blinds it is recommended to overlap the window opening by at least 3" on each side for a total of 6". To allow for enough space for the mounting brackets, it is also suggested that a vertical blind be installed at least 3" above the window opening.

Note: When outside mount blinds are specified, no factory deductions are taken.

Confirming Measurements:

The most common error in ordering blinds is reversing the width and the length measurements. Always confirm that the width is the measurement that goes across from left to right and that the length is the measurement that goes from top to bottom.

Louver Stacking Options:



Vane Replacements:

Vane replacements are available and each replacement price is listed at the end of the tables. Always measure the size of the vertical and request "VANES ONLY."

Maximum Sizes:

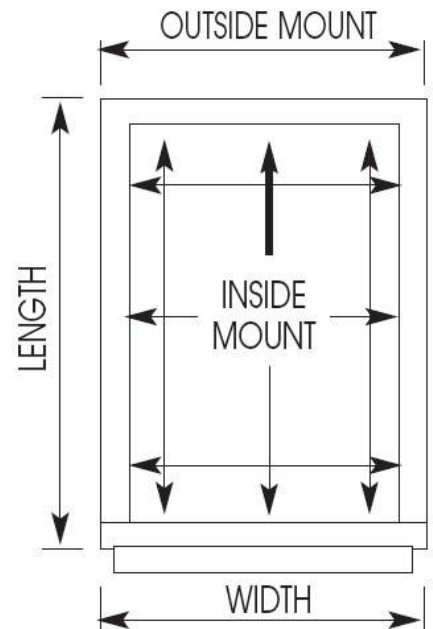
Maximum width is 192". Maximum height is 144".

Fabric Hems:

All fabric hems are custom sewn.

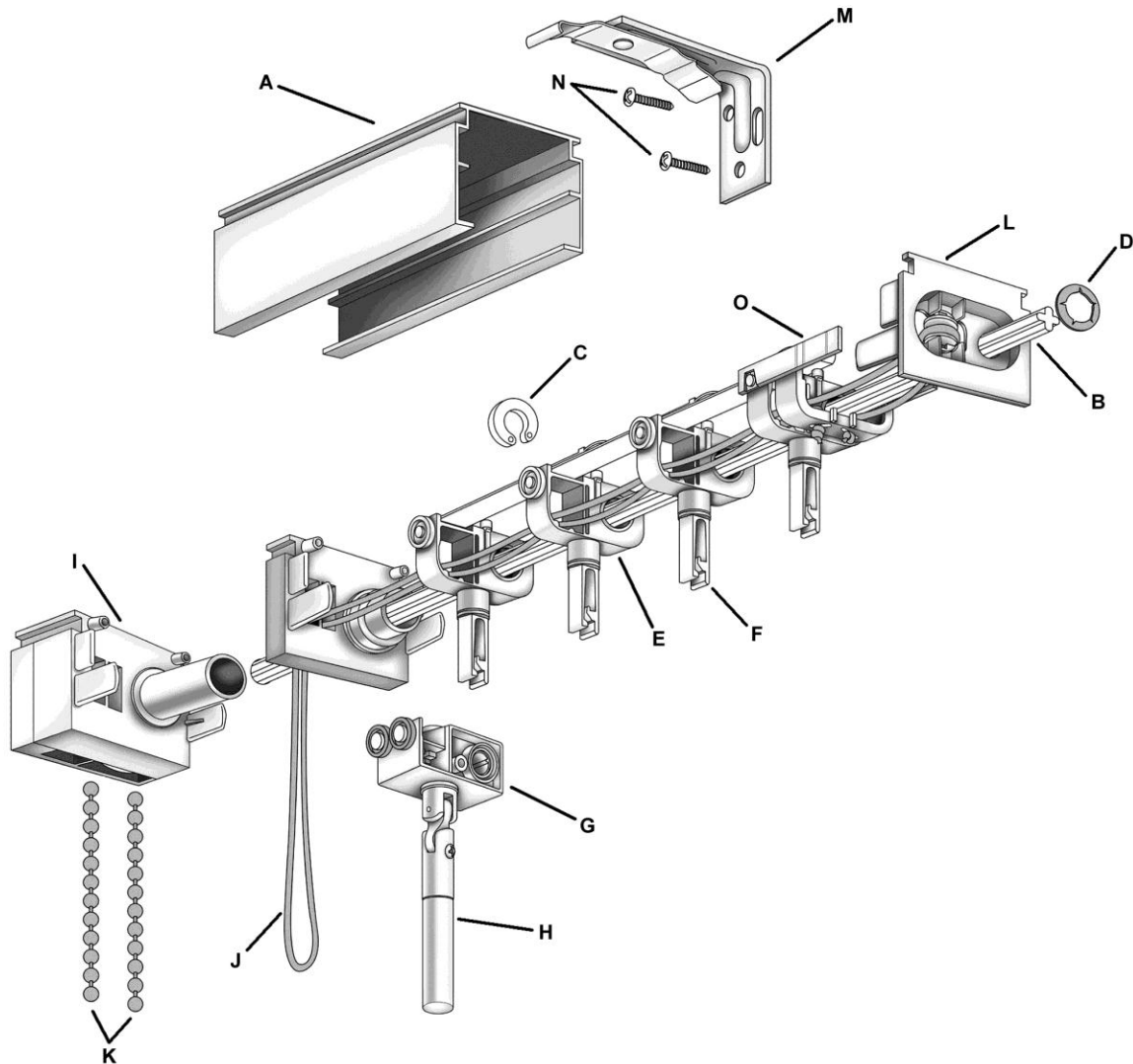
Corner Blinds:

When ordering corner blinds, dealer must make all deductions. Factory will not be responsible for such deductions.



Vertical Blind Headrail Exploded Diagram

(Mariak's Flagship M-2500 / M-2700 Headrail System Shown)



Parts:

- A) Headrail – Medium Wall Aluminum
- B) Pinion Rod (Tilt Rod) – 4 Prong
- C) Stop C Clip
- D) Push Nut
- E) Discovery Carrier
- F) Carrier Stem
- G) Wand Control
- H) Wand
- I) End Control
- J) Nylon Cord
- K) Chain #10 N.P.S. (Nickel Plated Steel)
- L) Idle End
- M) Installation Bracket with Ceiling Clamp
- N) Installation Screws
- O) Cord Drive Runner (Master Runner)

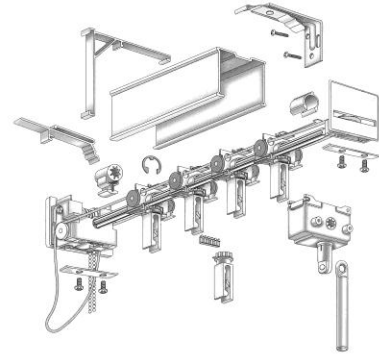
Vertical Blind Headrail Systems

Mariak Basic Vertical Blind Headrails

- 8-Prong Pinion Strap System
- Self-Aligning Carrier with Replaceable Stem
- Wheeled Carrier for Smooth Traversing
- Self-Lubricating Acetal parts
- Reinforced Strap Between Carriers
- Headrail Color White & Ivory

Headrail Types:

- M-1500 – Aluminum Headrail w/Cord & Chain
- M-1700 – Aluminum Headrail w/Wand Control

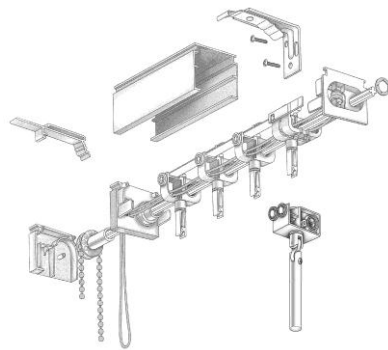


Mariak Commercial & Residential Vertical Blind Headrails

- 4-Prong Pinion Strap System
- Self-Aligning Carrier with Round Stem
- Wheeled Carrier for Smooth Traversing
- Self-Lubricating Acetal parts
- Reinforced Strap Between Carriers
- Fluted Headrail, Ivory, White or Anodized

Headrail Types:

- ***M-2500 – Medium Wall Aluminum w/Cord & Chain***
- ***M-2700 – Medium Wall Aluminum w/Wand Control***
- M-3000 – Heavy Duty Aluminum w/Cord & Chain
- M-3200 – Heavy Duty Aluminum w/Wand Control

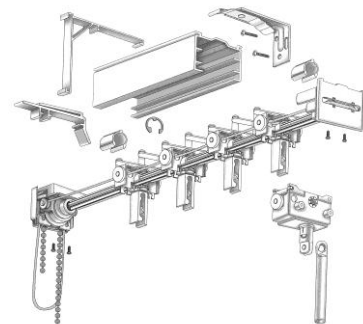


Mariak Scissor System Vertical Blind V-Top Headrails

- 8-Prong & 3-Prong Pinion Scissor System
- Self-Aligning Carrier with Replaceable Stem
- Wheeled Carrier for Smooth Traversing
- Spaces Equally Automatically
- Auto-Rotate Option Available – No Additional Charge on finished blinds. Additional charge applied to Headrail only.

Headrail Types:

- M-4500 – Medium Wall Aluminum w/Cord & Chain
- M-4700 – Medium Wall Aluminum w/Wand Control
- M-5500 – Medium Wall Aluminum w/Auto-Rotate
- M-8000 – Medium Aluminum w/Micro-Mold Carrier



Note:

Standard wand length is 36" unless otherwise specified at 48", 60" or 72" for an additional surcharge.

In compliance with the latest manufacturing safety guidelines (ANSI/WCMA standard section 6.5.2) Mariak Window Fashions includes with each fully-assembled product warning tags, warning labels, safety devices and cord cleats. Installers of the finished product must adhere to the safety guidelines as established by the installation instructions and by using all devices provided by the manufacturer. It is the responsibility of the installer, as well as the end consumer, to see that all safety devices are properly installed according to the manufacturers installation instructions included with each device and remain so throughout the life of the product. Mariak Window Fashions is not liable for injuries or fatal occurrences related to improper installation or maintenance of required safety devices.

Figure 2. Attach Device to Loop

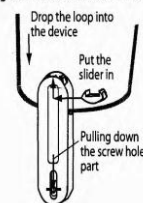


Figure 8. Outside Mount Installation

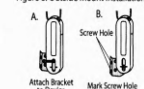
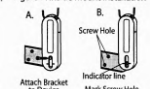
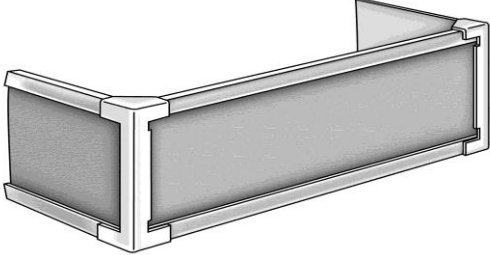
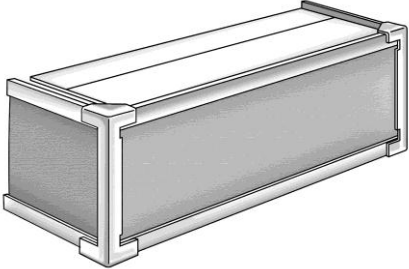
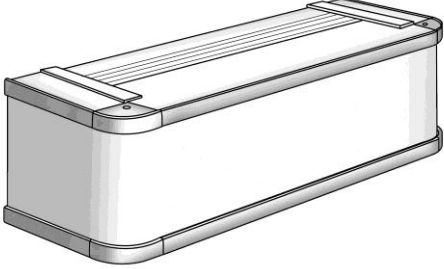




Figure 7. Inside Mount Installation



Vertical Blind Valance Options

<p>Economy Channel Panel Valance</p> <p><i>Not Available with M-1000 & M-1200 Headrails</i></p> 	<p>Square Corner Dust Cover Valance</p> 
<p>Round Corner Valance</p> 	<p>Royal & Barrington Valances</p> <p><i>These Valances Match The Available Horizontal Blind Valances (Outside Mount Only on Verticals)</i></p>   <p>3.25" Royal Cornice Valance 5.50" Barrington Cornice Valance</p>

Valances Options:

- **Economy Valance = No Charge Option** for Designer PVC Patterns (Tables 1 through 8)
 - Chargeable Option for Builder's Quality, Regular Curved, & Regular Flat PVC's (Tables A & B)
- **Square Corner Valance = No Charge Option** for Designer PVC Patterns (Tables 1 through 8)
 - Chargeable Option for Builder's Quality, Regular Curved, & Regular Flat PVC's (Tables A & B)
- **Round Corner Valance = No Charge Option** for Designer PVC Patterns (Tables 1 through 8)
 - Chargeable Option for Builder's Quality, Regular Curved, & Regular Flat PVC's (Tables A & B)
 - Not available for Fauxwood Textured & Fauxwood RealGrain Vertical Blinds
- **Royal & Barrington Cornice Valances = See Price Tables for Additional Charges**
 - Not available for Free Hanging or Inserted Fabric Verticals



3 1/2" One Way Draw Stacking Chart

M-2500/M-2700/M-3000/M-3200 Track Systems

# of Vanes	Blind Width	Total Stacking Space	# of Vanes	Blind Width	Total Stacking Space
5	16 1/4"	4 1/8"	34	106 7/8"	16 9/16"
6	19 3/8"	4 9/16"	35	110"	17"
7	22 1/2"	5"	36	113 1/8"	17 7/16"
8	25 5/8"	5 7/16"	37	116 1/4"	17 7/8"
9	28 3/4"	5 7/8"	38	119 3/8"	18 5/16"
10	31 7/8"	6 5/16"	39	122 1/2"	18 3/4"
11	35"	6 3/4"	40	125 5/8"	19 3/16"
12	38 1/8"	7 3/16"	41	128 3/4"	19 5/8"
13	41 1/4"	7 5/8"	42	131 7/8"	20 1/16"
14	44 3/8"	8 1/16"	43	135"	20 1/2"
15	47 1/2"	8 1/2"	44	138 1/8"	20 15/16"
16	50 5/8"	8 15/16"	45	141 1/4"	21 1/4"
17	53 3/4"	9 1/4"	46	144 3/8"	21 11/16"
18	56 7/8"	9 11/16"	47	147 1/2"	22 1/8"
19	60"	10 1/8"	48	150 5/8"	22 9/16"
20	63 1/8"	10 9/16"	49	153 3/4"	23"
21	66 1/4"	11"	50	156 7/8"	23 7/16"
22	69 3/8"	11 7/16"	51	160"	23 7/8"
23	72 1/2"	11 7/8"	52	163 1/8"	24 5/16"
24	75 5/8"	12 5/16"	53	166 1/4"	24 3/4"
25	78 3/4"	12 3/4"	54	169 3/8"	25 3/16"
26	81 7/8"	13 3/16"	55	172 1/2"	25 5/8"
27	85"	13 5/8"	56	175 5/8"	26 1/16"
28	88 1/8"	14 1/16"	57	178 3/4"	26 1/2"
29	91 1/4"	14 1/2"	58	181 7/8"	26 15/16"
30	94 3/8"	14 15/16"	59	185"	27 1/4"
31	97 1/2"	15 1/4"	60	188 1/8"	27 11/16"
32	100 5/8"	15 11/16"	61	191 1/4"	28 1/8"
33	103 3/4"	16 1/8"			

Please Note: This chart is intended for reference purposes only and is estimated by taking the Vertical Width divided by 3.125 and rounding up to the next louver.

Vertical Blind Price Table Index

PVC Pattern	Price Table	PVC Pattern	Price Table
Alpine	5	Orleans "S" Curved	4
Arcadia	3	Orleans Metallic	7
Avalon	1	Palisades	3
Balboa	5	Perforated Flat P21	2
Belmont	5	Pinnacle	1
Builders Quality	A	Regular Curved	B
Cambria	4	Regular Flat	B
Concord	2	Ribcord	B
Corly	1	Ridgecrest	3
Diablo	1	Salinas	3
Fallbrook	4	Savannah	2
Fauxwood Textured	3	Sonoma	5
Fauxwood Realgrain	4	Sonoma "S" Curved	5
Fremont	3	Stanford	2
Hollywood	2	Tahoe	3
Imperial	2	Valencia	3
Largo	2	Winchester	7
Montclair	1	Winnetka	1
Montecito	4	Woodbridge	2
Oakdale	3		
Orleans	4		

Fabric Vertical Pattern	Price Table	Fabric Vertical Pattern	Price Table
Contrast	3 Free Hanging/5 Inserted	Lyon	6 Free Hanging/7 Inserted
Dijon	4 Free Hanging/6 Inserted	Berlin	7 Free Hanging/8 Inserted
London	4 Free Hanging/6 Inserted	Paris	7 Free Hanging/8 Inserted
Toulon	4 Free Hanging/6 Inserted		

Vertical Blind Material: 2"	Vertical Blind Table
PVC Curved 2" Smooth (Ivory, Light Grey, Off White, Snow White)	4
PVC P21 Perforated 2" (Special order. Minimums Apply)	By Quote Only
Aluminum 2" (Eggshell Gloss, White Gloss, Gulf Blue, Fawn, Peach, Char Brown, Aluminum Textured, Alabaster, Brushed Aluminum, Spun Silk, White Satin, Black Satin, Snow Cap, Pinion, Angel Fire, Pearl)	By Quote Only

Mariak

Many Window Solutions From One Source

Vertical Blinds

Suggested Retail Price Table A

		Width														
		36	48	60	72	84	96	108	120	132	144	156	168	180	192	*Vanes Only
Length	36	108	139	168	192	216	239	270	300	331	348	390	401	438	461	7.00
	48	114	144	174	198	229	252	276	307	336	360	420	432	456	479	8.00
	60	126	156	181	204	234	259	287	331	365	396	438	449	479	504	9.00
	72	132	168	192	229	252	276	307	350	383	420	449	468	509	540	11.00
	84	144	174	204	234	265	300	331	373	420	443	491	509	551	582	12.00
	96	156	186	216	252	276	317	360	394	449	479	527	551	587	612	13.00
	108	168	198	234	270	307	336	383	420	479	509	564	587	635	671	14.00
	120	174	210	252	287	323	365	408	449	499	540	601	612	665	719	15.00
	132	181	216	270	307	336	383	432	468	522	575	635	653	708	756	16.00
	144	186	229	307	317	360	408	449	491	564	601	665	695	743	802	18.00
	Economy	17	22	28	34	39	44	50	56	61	66	72	78	83	88	
	Square Corner	28	34	39	44	50	56	61	66	72	78	83	88	95	100	
	Round Corner	56	61	66	72	78	83	88	95	100	105	117	122	127	132	
	Royal/Barrington	84	111	137	163	189	216	242								

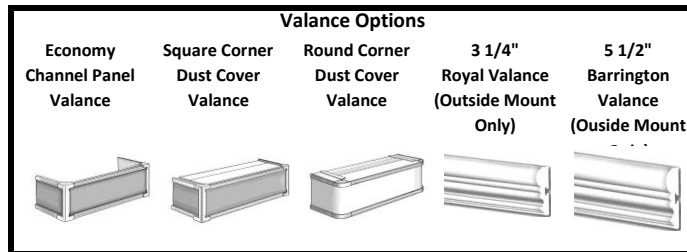
Patterns: - Builder's Quality (± 22-Gauge)

Suggested Retail Price Table B

		Width														
		36	48	60	72	84	96	108	120	132	144	156	168	180	192	*Vanes Only
Length	36	139	174	204	246	276	307	342	378	420	443	486	522	545	575	8.00
	48	144	181	216	252	281	317	353	390	432	468	504	534	564	592	9.00
	60	156	198	234	265	300	331	373	414	461	499	540	582	601	635	11.00
	72	168	216	246	281	323	348	390	443	486	522	570	612	642	671	12.00
	84	181	222	265	300	336	378	414	468	522	551	617	659	700	731	13.00
	96	204	239	276	323	360	401	449	499	564	601	665	713	743	779	14.00
	108	210	259	300	342	383	432	479	527	601	642	713	767	797	840	15.00
	120	216	270	317	373	408	461	509	564	629	684	761	802	840	898	16.00
	132	222	276	331	383	432	486	534	587	659	726	797	851	881	940	18.00
	144	234	287	342	401	456	509	564	617	708	761	833	887	935	994	19.00
	Economy	17	22	28	34	39	44	50	56	61	66	72	78	83	88	
	Square Corner	28	34	39	44	50	56	61	66	72	78	83	88	95	100	
	Round Corner	56	61	66	72	78	83	88	95	100	105	117	122	127	132	
	Royal/Barrington	84	111	137	163	189	216	242								

Patterns: - Regular Curved (± 28-Gauge)
 - Regular Flat (± 28-Gauge)
 - Ribcord

Vertical Blind Surcharge Options
Wand Control with Split Draw: \$5.00 Net
Zirlon Wand Control: \$10.00 Net
Zirlon Wand Control with Split Draw: \$12.00 Net
Special Size of Wand (48", 60", or 72"): \$1.00 Net
All Zirlon Verticals must be quoted.
Blinds up to 92" in width and/or drop shipped via FedEx: \$4.00 per unit Net Freight Charge
Blinds 92 1/8" to 125" in width and/or drop shipped via FedEx: \$75.00 per unit Net Freight Charge
Blinds 125 1/8" or greater in width and/or drop shipped via Common Carrier: \$150.00 per shipment



* Price is discountable and is per vane for PVC or Fabric Verticals.

Vertical Blinds

Suggested Retail Price Table 1

		Width													*Vanes Only	
		36	48	60	72	84	96	108	120	132	144	156	168	180		192
Length	36	171	202	237	275	311	347	384	421	458	494	528	567	604	641	11.00
	48	181	218	264	301	345	384	427	467	510	549	592	631	676	714	12.00
	60	191	237	284	331	375	421	467	512	559	604	650	695	741	786	13.00
	72	207	256	308	358	408	458	510	559	611	657	711	759	811	859	14.00
	84	218	275	331	384	440	494	549	604	657	714	769	824	878	933	15.00
	96	236	293	355	411	473	528	592	650	711	769	830	887	950	1006	16.00
	108	246	311	375	440	502	567	631	695	759	824	887	951	1016	1079	18.00
	120	264	331	400	467	537	604	676	741	811	878	950	1016	1086	1153	19.00
	132	275	347	421	494	567	641	714	786	859	933	1006	1079	1153	1226	20.00
	144	291	366	446	521	603	677	757	832	912	987	1068	1143	1223	1299	21.00
	Economy	Free Valance Upgrade - No Additional Charge														
Square Corner	Free Valance Upgrade - No Additional Charge															
Round Corner	Free Valance Upgrade - No Additional Charge															
Royal/Barrington	84	111	137	163	189	216	242									

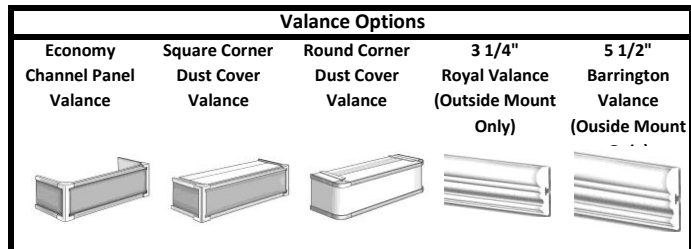
Patterns: - Avalon - Diablo - Pinnacle
 - Corly - Montclair - Winnetka

Suggested Retail Price Table 2

		Width													*Vanes Only	
		36	48	60	72	84	96	108	120	132	144	156	168	180		192
Length	36	213	252	298	344	389	433	480	526	572	616	664	709	756	800	13.00
	48	223	275	328	377	428	480	533	583	636	686	737	790	842	891	14.00
	60	239	298	355	411	468	526	583	641	698	756	811	869	925	984	15.00
	72	258	319	384	446	510	572	636	698	761	824	887	950	1013	1074	16.00
	84	275	344	411	480	549	616	686	756	824	891	960	1031	1099	1166	18.00
	96	293	366	441	516	589	664	737	811	887	960	1036	1109	1185	1258	19.00
	108	308	389	468	549	629	709	790	869	950	1031	1109	1188	1269	1348	20.00
	120	328	411	499	583	669	756	842	925	1013	1099	1185	1269	1356	1441	21.00
	132	344	433	526	616	709	800	891	984	1074	1166	1258	1348	1441	1532	22.00
	144	361	458	555	651	750	846	944	1040	1138	1234	1335	1430	1529	1624	23.00
	Economy	Free Valance Upgrade - No Additional Charge														
Square Corner	Free Valance Upgrade - No Additional Charge															
Round Corner	Free Valance Upgrade - No Additional Charge															
Royal/Barrington	84	111	137	163	189	216	242									

Patterns: - Concord - Imperial - Oakdale - Savannah - Woodbridge
 - Hollywood - Largo - Perforated - Stanford

Vertical Blind Surcharge Options
Wand Control with Split Draw: \$5.00 Net
Zirlon Wand Control: \$10.00 Net
Zirlon Wand Control with Split Draw: \$12.00 Net
Special Size of Wand (48", 60", or 72"): \$1.00 Net
All Zirlon Verticals must be quoted.
Blinds up to 92" in width and/or drop shipped via FedEx: \$4.00 per unit Net Freight Charge
Blinds 92 1/8" to 125" in width and/or drop shipped via FedEx: \$75.00 per unit Net Freight Charge
Blinds 125 1/8" or greater in width and/or drop shipped via Common Carrier: \$150.00 per shipment



* Price is discountable and is per vane for PVC or Fabric Verticals.

Mariak

Many Window Solutions From One Source

Vertical Blinds

Suggested Retail Price Table 3

		Width														
		36	48	60	72	84	96	108	120	132	144	156	168	180	192	*Vanes Only
Length	36	256	301	358	411	467	521	575	631	686	741	796	851	904	960	15.00
	48	270	331	394	454	517	575	641	700	763	824	887	946	1011	1070	16.00
	60	287	358	425	494	562	631	700	769	837	904	973	1043	1112	1179	18.00
	72	331	384	462	534	613	686	763	837	917	987	1066	1138	1217	1289	19.00
	84	331	411	494	575	657	741	824	904	987	1070	1153	1234	1318	1401	20.00
	96	352	440	528	616	709	796	887	973	1066	1153	1245	1329	1422	1510	21.00
	108	372	467	562	657	756	851	946	1043	1138	1234	1329	1428	1524	1619	22.00
	120	394	494	600	700	804	904	1011	1112	1217	1318	1422	1524	1629	1728	23.00
	132	411	521	631	741	851	960	1070	1179	1289	1401	1510	1619	1728	1839	24.00
	144	433	549	668	781	902	1016	1134	1248	1368	1483	1601	1716	1834	1948	25.00
Economy		Free Valance Upgrade - No Additional Charge														
Square Corner		Free Valance Upgrade - No Additional Charge														
Round Corner		Free Valance Upgrade - No Additional Charge (Not Available for Fauxwood Textured Verticals)														
Royal/Barrington		84	111	137	163	189	216	242	(Not Available with Fabric Verticals)							

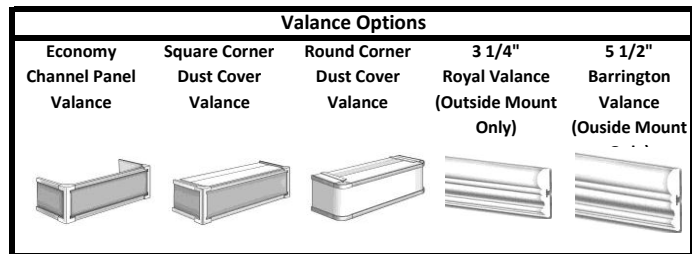
Patterns: - Arcadia - Palisades - Tahoe - Free Hanging Fabric Vertical Contrast
 - Fauxwood Textured - Ridgcrest - Valencia
 - Fremont - Salinas

Suggested Retail Price Table 4

		Width														
		36	48	60	72	84	96	108	120	132	144	156	168	180	192	*Vanes Only
Length	36	293	344	407	470	531	595	659	720	783	846	908	970	1034	1097	17.00
	48	308	377	449	517	591	659	732	800	873	940	1014	1082	1154	1222	19.00
	60	330	407	484	564	642	720	800	877	956	1034	1113	1191	1268	1346	20.00
	72	356	439	529	610	699	783	873	956	1045	1129	1219	1299	1390	1472	22.00
	84	377	470	564	659	753	846	940	1034	1129	1222	1316	1410	1504	1597	23.00
	96	402	502	606	706	811	908	1014	1113	1219	1316	1421	1519	1623	1722	25.00
	108	423	531	642	753	860	970	1082	1191	1299	1410	1519	1629	1739	1849	27.00
	120	449	564	686	800	920	1034	1154	1268	1390	1504	1623	1739	1860	1973	28.00
	132	470	595	720	846	970	1097	1222	1346	1472	1597	1722	1849	1973	2098	30.00
	144	498	627	761	894	1029	1160	1295	1425	1562	1692	1828	1958	2096	2225	32.00
Economy		Free Valance Upgrade - No Additional Charge														
Square Corner		Free Valance Upgrade - No Additional Charge														
Round Corner		Free Valance Upgrade - No Additional Charge (Not Available for Fauxwood RealGrain Verticals)														
Royal/Barrington		84	111	137	163	189	216	242	(Not Available with Fabric Verticals)							

Patterns: - Cambria - Montecito - 2" PVC Curved Smooth Vertical
 - Fallbrook - Orleans - Free Hanging Fabric Vertical Dijon, London & Toulon
 - Fauxwood RealGrain - Orleans "S" Curve

Vertical Blind Surcharge Options
Wand Control with Split Draw: \$5.00 Net
Zirlon Wand Control: \$10.00 Net
Zirlon Wand Control with Split Draw: \$12.00 Net
Special Size of Wand (48", 60", or 72"): \$1.00 Net
All Zirlon Verticals must be quoted.
Blinds up to 92" in width and/or drop shipped via FedEx: \$4.00 per unit Net Freight Charge
Blinds 92 1/8" to 125" in width and/or drop shipped via FedEx: \$75.00 per unit Net Freight Charge
Blinds 125 1/8" or greater in width and/or drop shipped via Common Carrier: \$150.00 per shipment



* Price is discountable and is per vane for PVC or Fabric Verticals.

Vertical Blinds

Suggested Retail Price Table 5

		Width														
		36	48	60	72	84	96	108	120	132	144	156	168	180	192	*Vanes Only
Length	36	340	401	475	549	621	695	769	842	917	987	1062	1134	1208	1280	20.00
	48	359	440	523	604	688	769	853	933	1017	1099	1182	1261	1347	1428	22.00
	60	384	475	567	657	750	842	933	1024	1114	1208	1299	1389	1483	1572	24.00
	72	414	512	615	714	817	917	1017	1114	1219	1318	1421	1517	1623	1720	26.00
	84	440	549	657	769	878	987	1099	1208	1318	1428	1536	1646	1757	1867	28.00
	96	468	586	708	824	944	1062	1182	1299	1421	1536	1658	1775	1895	2013	30.00
	108	494	621	750	878	1006	1134	1261	1389	1517	1646	1775	1903	2030	2160	34.00
	120	523	657	798	933	1072	1208	1347	1483	1623	1757	1895	2030	2170	2305	36.00
	132	549	695	842	987	1134	1280	1428	1572	1720	1867	2013	2160	2305	2452	38.00
	144	581	731	890	1043	1200	1353	1511	1664	1823	1976	2134	2288	2445	2598	40.00
	Economy	Free Valance Upgrade - No Additional Charge														
	Square Corner	Free Valance Upgrade - No Additional Charge														
	Round Corner	Free Valance Upgrade - No Additional Charge														
	Royal/Barrington	84	111	137	163	189	216	242	(Not Available with Fabric Verticals)							






Patterns: - *Alpine* - *Plymouth* - *Inserted Fabric Vertical Contrast*
 - *Balboa* - *Sonoma*
 - *Belmont* - *Sonoma "S" Curved*

Suggested Retail Price Table 6

		Width														
		36	48	60	72	84	96	108	120	132	144	156	168	180	192	*Vanes Only
Length	36	384	454	534	616	700	781	864	946	1031	1112	1194	1276	1359	1441	22.00
	48	405	494	589	680	776	864	960	1051	1147	1234	1329	1421	1515	1604	25.00
	60	432	534	637	741	843	946	1051	1153	1256	1359	1463	1563	1666	1771	27.00
	72	467	575	694	802	919	1031	1147	1256	1373	1483	1598	1709	1824	1934	30.00
	84	494	616	741	864	987	1112	1234	1359	1483	1604	1728	1853	1976	2099	34.00
	96	527	657	796	925	1065	1194	1329	1463	1598	1728	1867	1996	2134	2265	36.00
	108	555	700	843	987	1132	1276	1421	1563	1709	1853	1996	2142	2284	2430	39.00
	120	589	741	898	1051	1208	1359	1515	1666	1824	1976	2134	2284	2444	2594	42.00
	132	616	781	946	1112	1276	1441	1604	1771	1934	2099	2265	2430	2594	2758	44.00
	144	651	824	1001	1174	1350	1524	1701	1872	2052	2222	2401	2574	2753	2923	47.00
	Economy	Free Valance Upgrade - No Additional Charge														
	Square Corner	Free Valance Upgrade - No Additional Charge														
	Round Corner	Free Valance Upgrade - No Additional Charge														
	Royal/Barrington	N/A	N/A	N/A	N/A	N/A	N/A	N/A	(Not Available with Fabric Verticals)							

Patterns: - *Free Hanging Fabric Vertical Lyon*
 - *Inserted Fabric Vertical Dijon, London & Toulon*

Vertical Blind Surcharge Options
Wand Control with Split Draw: \$5.00 Net
Zirlon Wand Control: \$10.00 Net
Zirlon Wand Control with Split Draw: \$12.00 Net
Special Size of Wand (48", 60", or 72"): \$1.00 Net
All Zirlon Verticals must be quoted.
Blinds up to 92" in width and/or drop shipped via FedEx: \$4.00 per unit Net Freight Charge
Blinds 92 1/8" to 125" in width and/or drop shipped via FedEx: \$75.00 per unit Net Freight Charge
Blinds 125 1/8" or greater in width and/or drop shipped via Common Carrier: \$150.00 per shipment

Valance Options				
Economy Channel Panel Valance	Square Corner Dust Cover Valance	Round Corner Dust Cover Valance	3 1/4" Royal Valance (Outside Mount Only)	5 1/2" Barrington Valance (Outside Mount Only)
				

* Price is discountable and is per vane for PVC or Fabric Verticals.

Mariak

Many Window Solutions From One Source

Vertical Blinds

Suggested Retail Price Table 7

		Width														
		36	48	60	72	84	96	108	120	132	144	156	168	180	192	*Vaness Only
Length	36	424	500	588	678	772	860	951	1042	1134	1223	1314	1404	1495	1586	24.00
	48	445	543	649	749	854	951	1056	1157	1261	1358	1464	1563	1666	1765	27.00
	60	476	588	701	815	927	1042	1157	1269	1382	1495	1610	1721	1834	1949	30.00
	72	513	634	763	884	1010	1134	1261	1382	1512	1631	1759	1882	2008	2128	35.00
	84	543	678	815	951	1086	1223	1358	1495	1631	1765	1902	2038	2174	2309	38.00
	96	581	725	876	1019	1171	1314	1464	1610	1759	1902	2054	2196	2348	2492	41.00
	108	612	772	927	1086	1245	1404	1563	1721	1882	2038	2196	2356	2513	2673	44.00
	120	649	815	988	1157	1328	1495	1666	1834	2008	2174	2348	2513	2689	2853	47.00
	132	678	860	1042	1223	1404	1586	1765	1949	2128	2309	2492	2673	2853	3036	51.00
	144	716	907	1100	1292	1486	1677	1872	2060	2258	2444	2642	2831	3028	3216	55.00
	Economy	Free Valance Upgrade - No Additional Charge														
	Square Corner	Free Valance Upgrade - No Additional Charge														
	Round Corner	Free Valance Upgrade - No Additional Charge														
	Royal/Barrington	84	111	137	163	189	216	242	(Not Available with Fabric Verticals)							

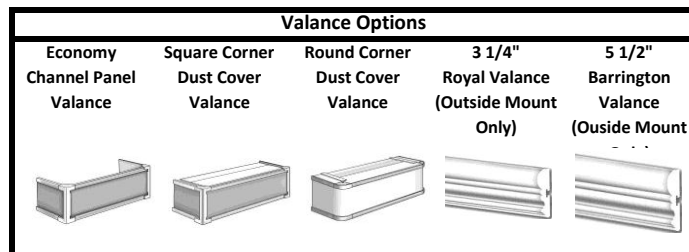
Patterns: - Orleans Metallic Gold - Free Hanging Fabric Vertical Berlin & Paris
 - Orleans Metallic Silver - Inserted Hanging Fabric Vertical Lyon
 - Winchester

Suggested Retail Price Table 8

		Width														
		36	48	60	72	84	96	108	120	132	144	156	168	180	192	*Vaness Only
Length	36	495	583	687	792	901	1004	1111	1217	1324	1428	1534	1639	1746	1852	28.00
	48	520	634	757	875	996	1111	1234	1350	1473	1586	1709	1826	1947	2062	32.00
	60	555	687	819	951	1083	1217	1350	1482	1613	1746	1880	2010	2142	2276	36.00
	72	600	740	891	1032	1180	1324	1473	1613	1765	1905	2054	2198	2345	2486	40.00
	84	634	792	951	1111	1268	1428	1586	1746	1905	2062	2221	2381	2539	2697	43.00
	96	677	845	1023	1190	1368	1534	1709	1880	2054	2221	2399	2565	2742	2910	47.00
	108	714	901	1083	1268	1454	1639	1826	2010	2198	2381	2565	2752	2935	3123	51.00
	120	757	951	1154	1350	1552	1746	1947	2142	2345	2539	2742	2935	3141	3333	56.00
	132	792	1004	1217	1428	1639	1852	2062	2276	2486	2697	2910	3123	3333	3545	59.00
	144	836	1059	1285	1508	1736	1958	2187	2406	2637	2855	3086	3306	3537	3757	63.00
	Economy	Free Valance Upgrade - No Additional Charge														
	Square Corner	Free Valance Upgrade - No Additional Charge														
	Round Corner	Free Valance Upgrade - No Additional Charge														
	Royal/Barrington	N/A	N/A	N/A	N/A	N/A	N/A	N/A	(Not Available with Fabric Verticals)							

Patterns: - Inserted Hanging Fabric Vertical Berlin & Paris

Vertical Blind Surcharge Options
Wand Control with Split Draw: \$5.00 Net
Zirlon Wand Control: \$10.00 Net
Zirlon Wand Control with Split Draw: \$12.00 Net
Special Size of Wand (48", 60", or 72"): \$1.00 Net
All Zirlon Verticals must be quoted.
Blinds up to 92" in width and/or drop shipped via FedEx: \$4.00 per unit Net Freight Charge
Blinds 92 1/8" to 125" in width and/or drop shipped via FedEx: \$75.00 per unit Net Freight Charge
Blinds 125 1/8" or greater in width and/or drop shipped via Common Carrier: \$150.00 per shipment



* Price is discountable and is per vane for PVC or Fabric Verticals.

Mariak

Many Window Solutions From One Source

575 West Manville Street, Rancho Dominguez, CA 90220
 Customer Service Fax: (800) 459-6999 / International Fax: (310) 763-1749
 PH: (800) 562-7425 / (310) 661-4400

Purchase Order Vertical Blinds

Account #: _____ Company Name: _____ Contact: _____

Purchase Order #: _____

Ship To Address: _____ Phone: _____

Sidemark: _____

City: _____ State: _____ Zip: _____ Fax: _____

Date Required: _____

Line	Sidemark	Qty	Mount ¹	Width	Length	Headrail Type ²	Headrail Color ³	Vane Pattern ⁴	Vane Color ⁵	Rotation Type ⁶	Control Side ⁷	Stack Side ⁸	Valance ⁹	Bracket Type ¹⁰
1														
2														
3														
4														
5														
6														
7														
8														
9														
10														

Purchase Order Footnotes:

<p>1. Mount: (IM) - Inside Mount (OM) - Outside Mount</p>	<p>7. Control Side: (L) - Left Side Tilt (Standard) (R) - Right Side Tilt</p>
<p>2. Headrail Type: (M25M27) - M2500 / M2700 Aluminum Headrail (4-Prong Strap System) - Recommended by Mariak (M30M32) - M3000 / M3200 Heavy Duty Aluminum Headrail (4-Prong Strap System) (M45M47) - M4500 / M4700 Aluminum Headrail (8-Prong Scissor System) (M55) - M5500 Aluminum Headrail (Auto-Rotate 8-Prong Scissor System) (M10/M12) - M1000 / M1200 Steel Headrail (8-Prong Strap System) (M15/M17) - M1500 / M1700 Aluminum Headrail (8-Prong Strap System) (Zirlon) - Levolor Zirlon Aluminum Headrail (4-Prong Strap System) - By Contract Quote Only!</p>	<p>8. Stack Side: (R) - Right Side (Vanes Stack to Right Side) (L) - Left Side (Vanes Stack to Left Side) (S) - Split Draw - Center Open (Vanes Stack to Outside Edges) (C) - Center Stack - Side Open (Vanes Stack to Inside of Window) (V) - Reverse Stack (Chain and Cord at Opposite Ends of Headrail)</p>
<p>3. Headrail Color: (IVY) - Ivory (Not Available with Zirlon) (WHT) - White (Not Available with Zirlon) (AND) - Clear Anodized (Not Available with M1000/M1200 or M1500/M1700 Headrails)</p>	<p>9. Valance Type: (SQR) - Square Corner Dust Cover Valance (RND) - Round Corner Dust Cover Valance (ECO) - Economy Channel Panel Valance (RYL) - 3 1/2" Fauxwood Royal Valance (BAR) - 5 1/2" Basswood Barrington Valance</p>
<p>4. Vane Pattern: Specify the type of vane material or pattern name.</p>	<p>10. Bracket Type: (STD) - Standard Bracket (IM = Ceiling Clamp / OB = 2 1/4" L Brackets (4"L) - 4" L Brackets (EXT) - 6" Flat Extension Bracket (CLP) - Ceiling Clamp</p>
<p>5. Vane Color: Specify the color # and name.</p>	
<p>6. Rotation Type: (W) - Wand Tilt (Not Available with M4500/M4700 or M5500) (C) - Chain Tilt (M) - Motorized Tilt (Surchargeable - Available with M2500 headrail)</p>	

Mariak

Many Window Solutions From One Source

BLANK PAGE

575 West Manville Street
Rancho Dominguez, CA 90220
(800) 562-7425
www.mariak.com